

A

B

C

D

E

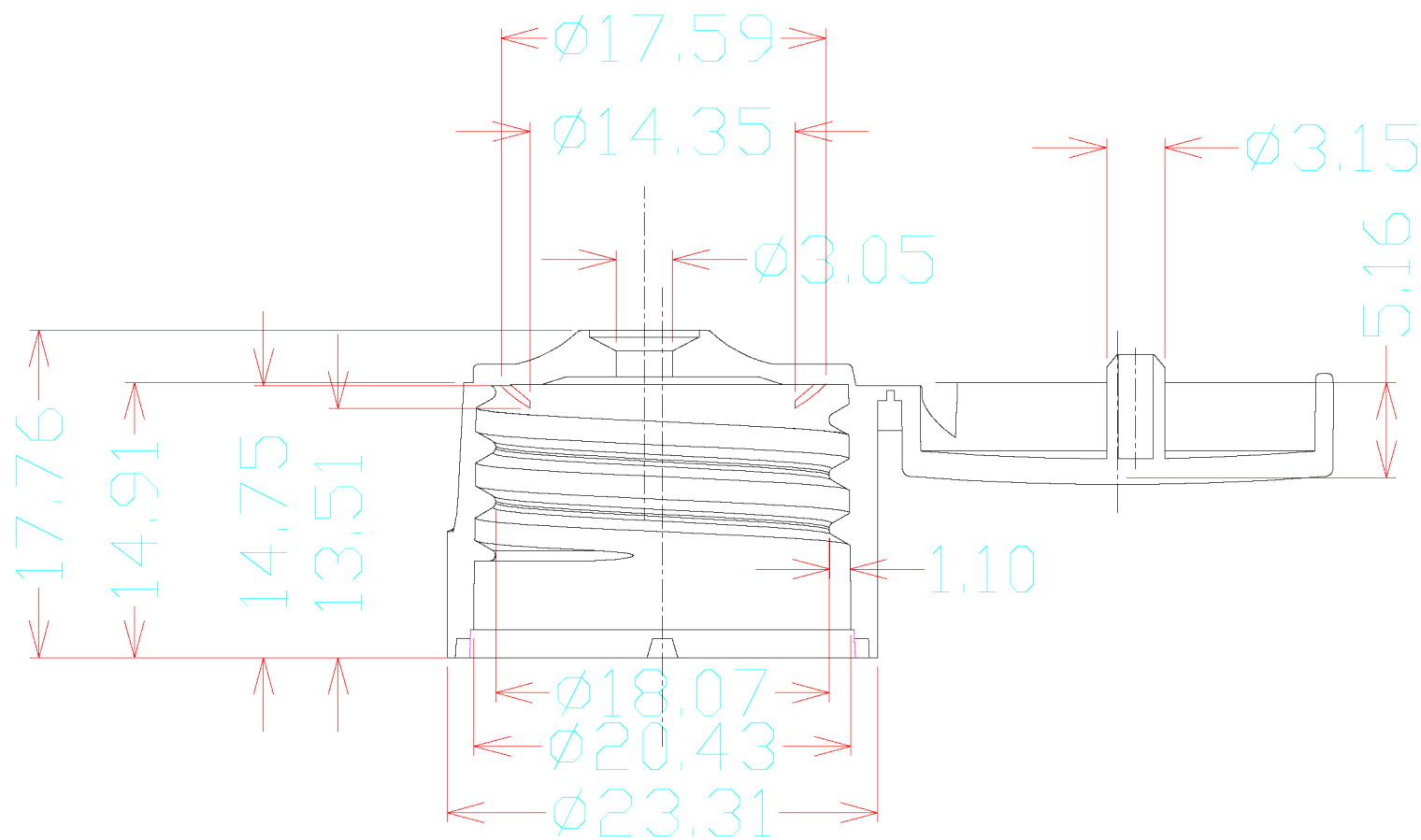
F

1

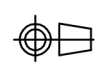
2

3

4



20/410 光面



SCALE

MATERIAL

PIECES

CONSTANT THICKNESS

DEFAULT RADIUS

DRAFT ANGLE

WEIGHT (Gram)

PAGE

TREATMENT

FINISH

DESIGNER

DATE 16-July-19

CLIENT

DENOMINATION

106145

PART NUMBER

PROJECT

DATE

FILE

REFERENCE