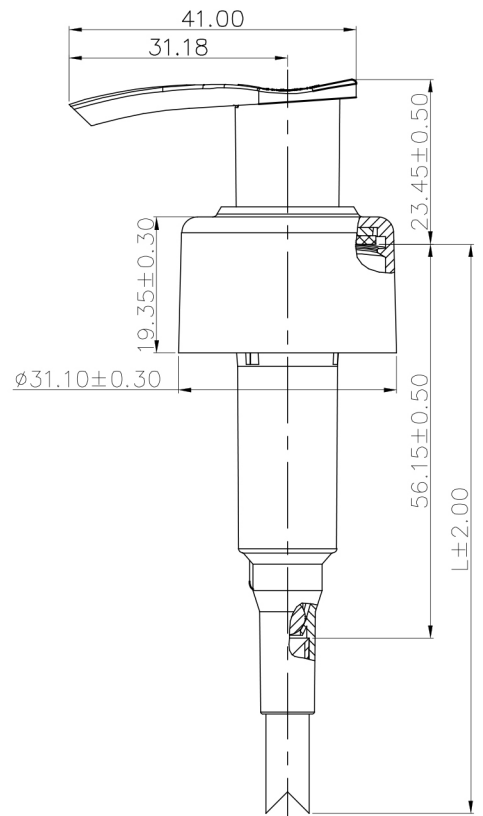
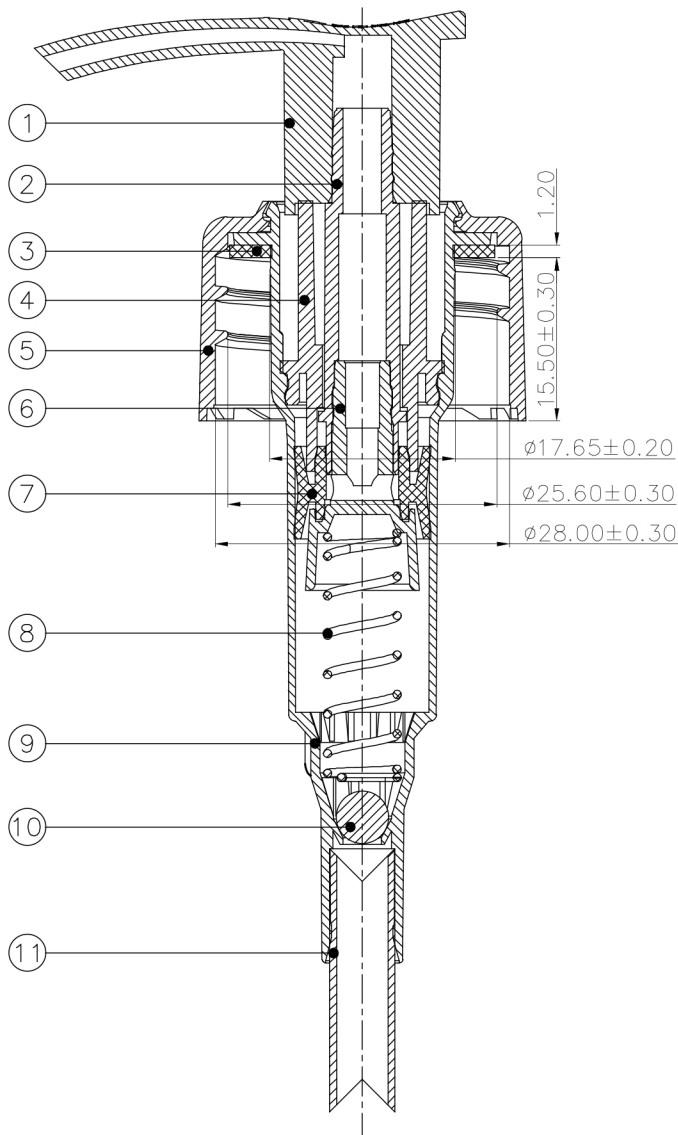
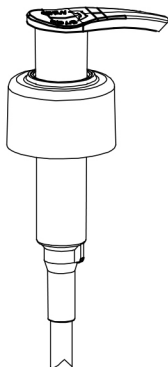


REV	DESCRIPTION OF REVISION	ECN#	REVISED BY	DATE



SCALE 1:1

Discharge Rate: 1.2±0.2ML/T



SCALE 1/2

11	Dip tube		LDPE	
10	Ball		GLASS	
9	Housing		PP	
8	Spring		SUS304	
7	Piston		LDPE	
6	Needle		PP	
5	Closure		PP	
4	Switch		PP	
3	Gasket		PE	
2	Stem		PP	
1	Actuator		PP	
Part	Parts Name	Drw. NO	Material	Weight

			MOLD NO:
GENERAL TOLERANCE		DRAWN BY:	DRWG No:
≤5mm	±0.15mm	DATE: 2020.06.02	MAT'L:
5mm-15mm	±0.30mm	CHECKED BY:	WGT:
15mm-30mm	±0.50mm	APPR. BY:	VIEW:
30mm-50mm	±0.80mm	SHEET:	
≥50mm	±1.20mm		UNITS: mm
			FORMAT:
			SCALE:
			REV: A