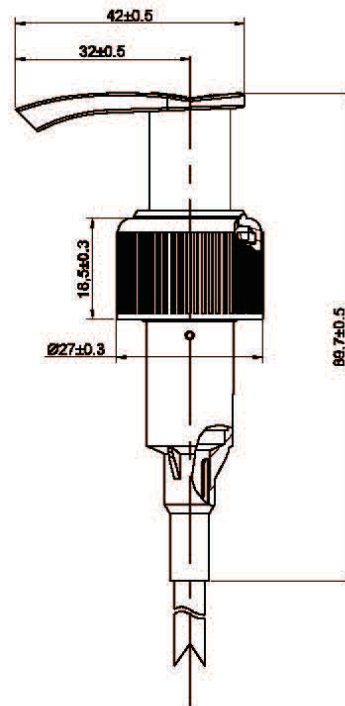
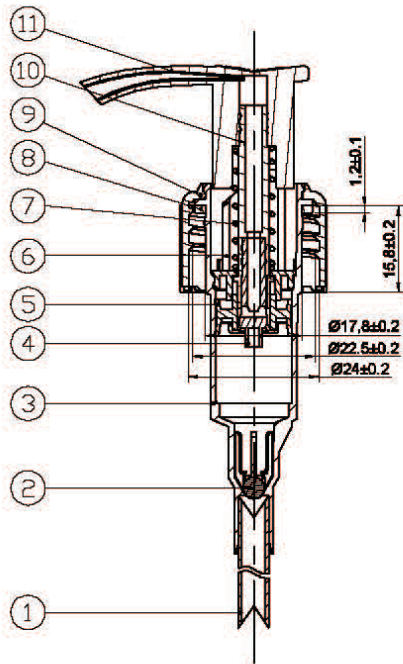


11	Actuator (头帽)	PP	1
10	Stem (活塞杆)	PP	1
9	Closure (大圈)	PP	1
8	Gasket (垫片)	PE	1
7	Spring (弹簧)	SUS304	1
6	Switch (开关)	PP	1
5	Piston (活塞)	LDPE	1
4	Needle (活塞座)	PP	1
3	Housing (泵体)	PP	1
2	Ball (截珠)	Glass	1
1	Dip Tube (吸管)	LDPE	1
No.	Part name	Material	Qty



	SCALE	MATERIAL	PIECES	CONSTANT THICKNESS	DEFAULT RADIUS	DRAFT ANGLE	WEIGHT (Gram)	PAGE
		TREATMENT						1/1
		FINISH						
		DESIGNER						
		DATE 15-Oct-20	CLIENT					
						PART NUMBER		
PROJECT		DATE	FILE	REFERENCE				