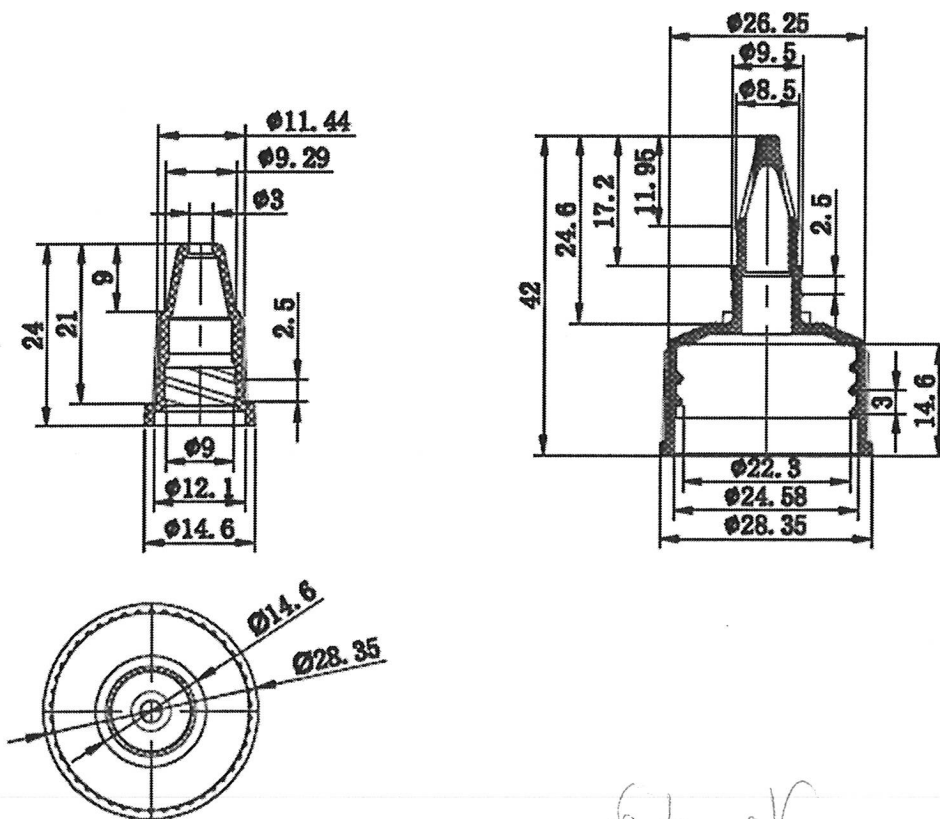




PRODUCT SPECIFICATION

| |
|--|
| ITEM CODE: 106672 |
| DESCRIPTION: Cap, 24/410, nozzle, screw on, black, ribbed, PP, with foam liner |
| PACKAGING: 2500 pcs/box 47X38X26 cm Gross weight: 8 kgs/box |
| DIMENSIONS: 42 mm x 28,35 mm x 28,35 mm |
| WEIGHT: 3,4 g |
| MATERIAL: Polypropylene RG468MO |

TECHNICAL DRAWING



Budapest, 2023.09.26.

Antos János
NORDTEK IMEXCO KFT.
 1142 Budapest, Szőnyi u. 21/A.
 Tel.: +36-1-363-1447; SWIFT: CITI HUHX
 VAT Nr.: HU 12244692
 IBAN: HU45 1080 0007 5490 4028 0000 0000