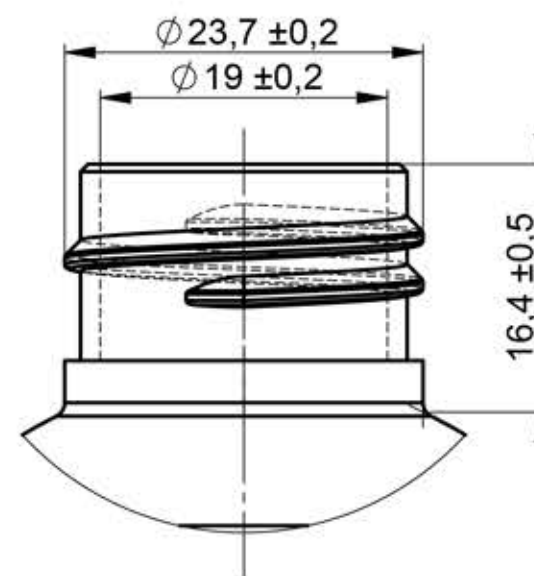


3.18 ± 0.1 Pitch
 2.2 ± 0.1 Start of thread
 2 turns of thread



SZCZEGÓŁ A
 SKALA 2 : 1



Name: BU652A			
Content	400 ml	Scale: 1:1.5	Size: A3
Content (brimful)	424 ± 9 ml	Author	G.Zalejko
Material	PET	Approved	Date:
Weight	32 ± 1 g		
Neck	24-410		
Thread			