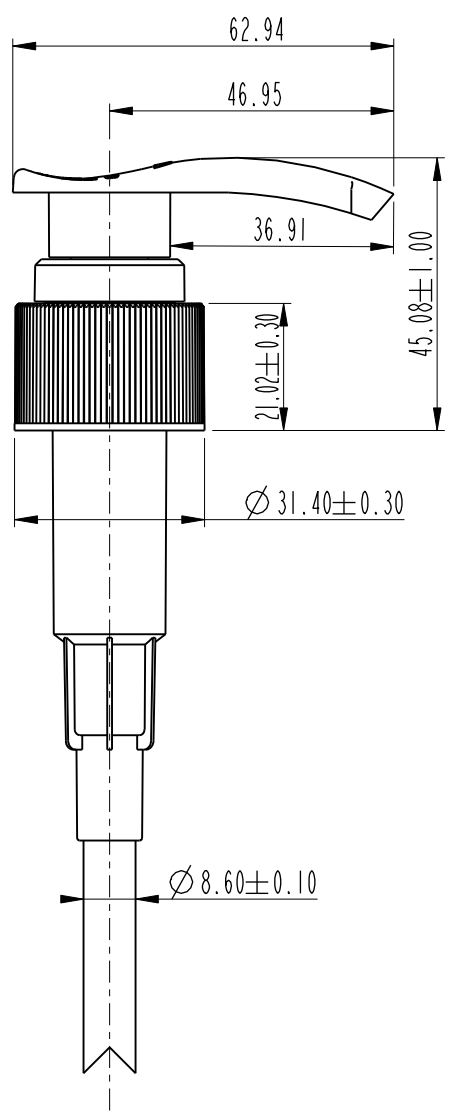
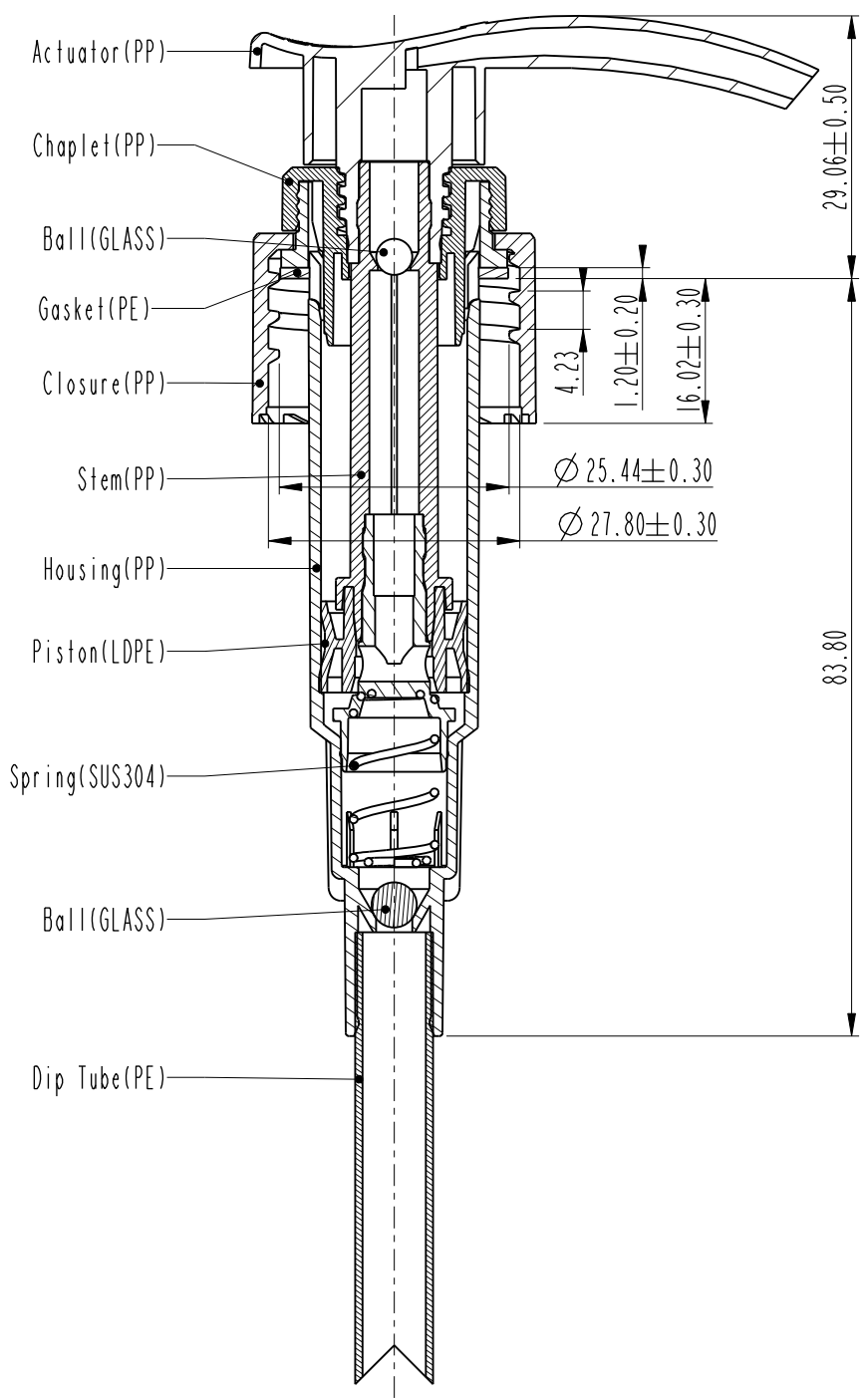


3		4	
MARK	REVISER	DESCRIPTRN	DATE



Notes:  
Dosage: 5.0ml ± 0.5/T.

TOLERANCE	○	○	○
0mm - 15mm	±0.05	±0.10	±0.50
15mm - 30mm	±0.05	±0.15	±1.00
30mm - 50mm	±0.10	±0.20	±1.50
50mm - 99mm	±0.15	±0.30	±2.00
ABOVE 99mm	±0.20	±0.40	±2.50
CENTER	±0.10	±0.50	±1.00
ANGLER	±0.25°	±0.50°	±2.00°

DRAFTER: 2018.11.08  
 CHECKED:  
 SENSOR:  
 APPROVED:

UNIT: mm  
 MODEL NAME:  
 TITLE: 28/410 RIB (5ML)  
 SCALE: 1.2:1  
 VISUAL ANGLE: Q'TY: 1/1  
 REV: A0  
 PART NO:  
 FILE NO: