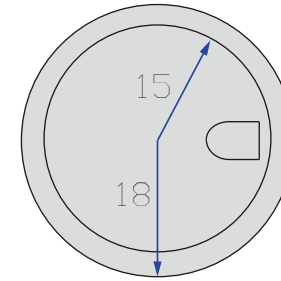
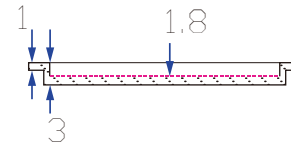
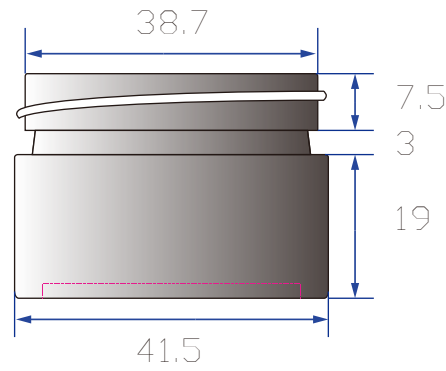


CAP



PLASTIC SEAL



JAR

| | | |
|--|----------|--|
| | Capacity | |
| | Weight | |
| | Scale | |
| | Date | |

| No. | Modification | Date | Designed by | |
|-----|--------------|------|-------------|--|
| | | | Checked by | |
| | | | Approved by | |