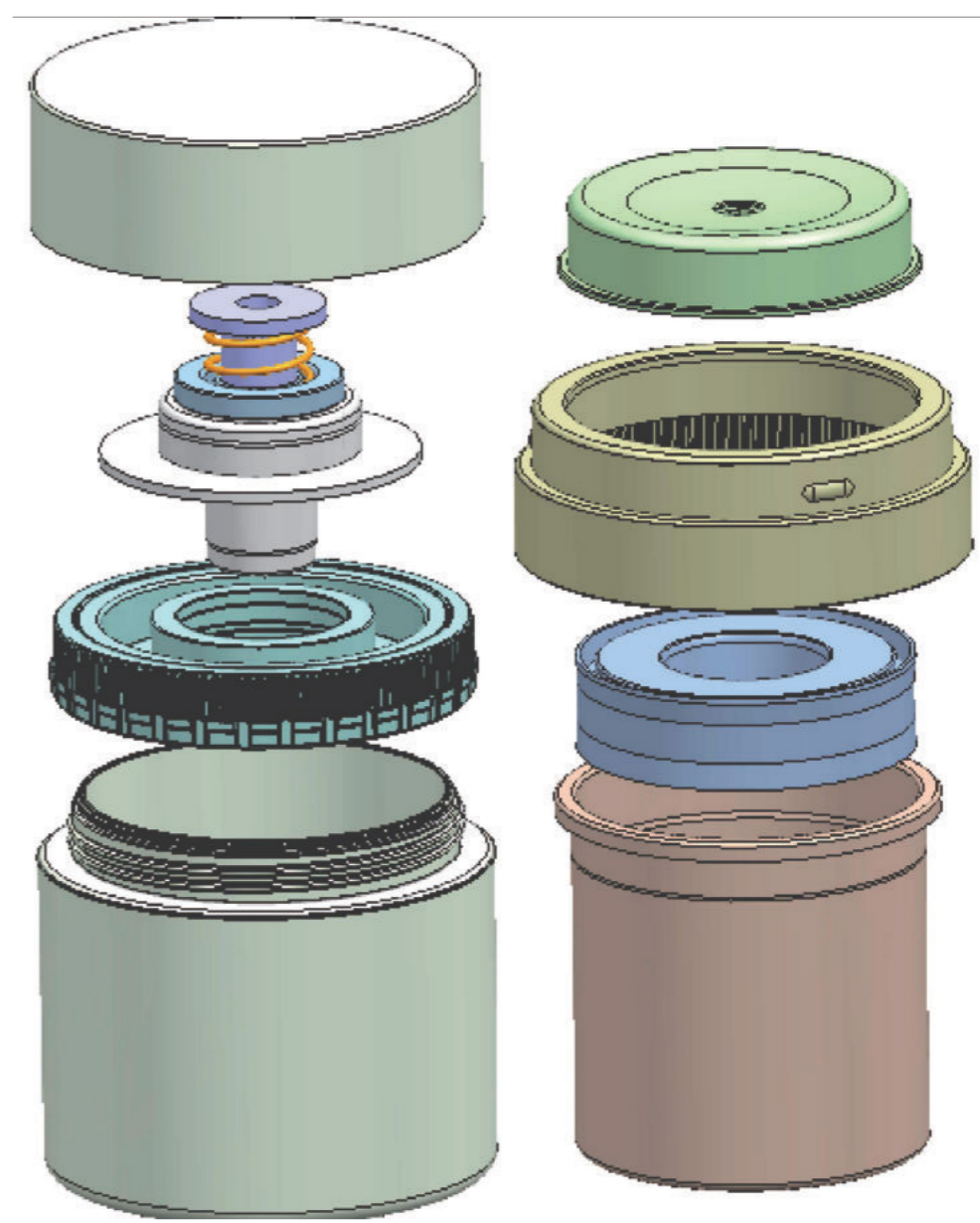
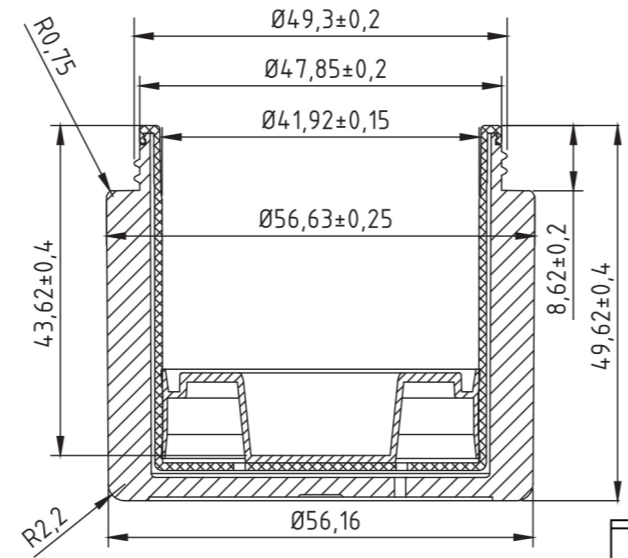
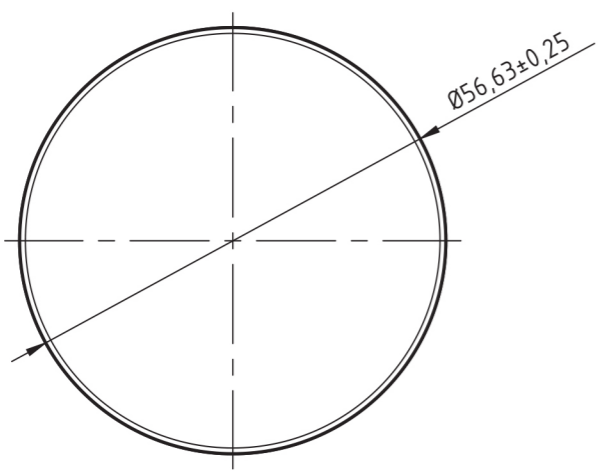
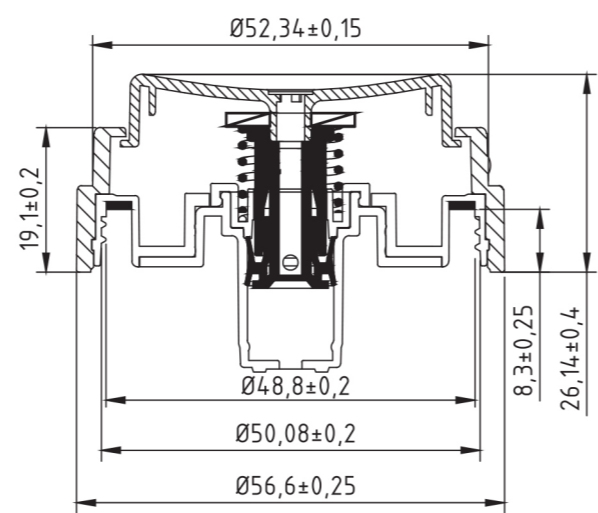
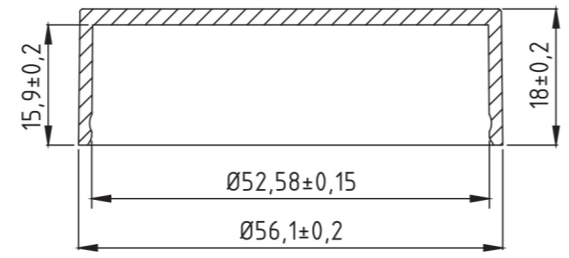
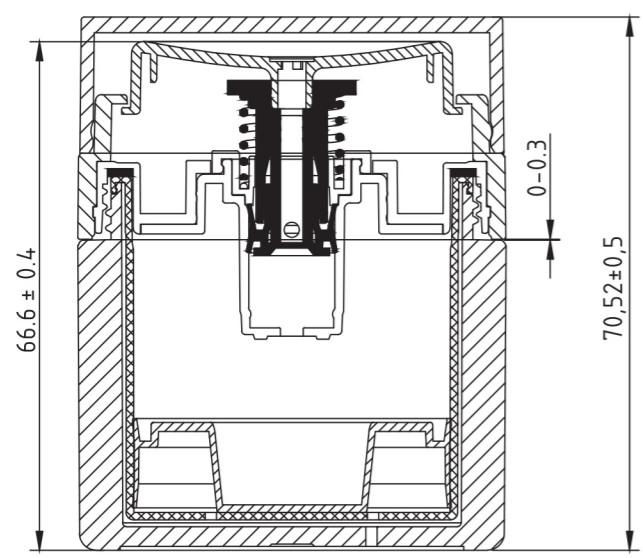


1



2

3

4

	SCALE	MATERIAL	PIECES	CONSTANT THICKNESS	DEFAULT RADIUS	DRAFT ANGLE	WEIGHT (Gram)	PAGE
	1:1	TREATMENT FINISH						
DESIGNER								
DATE 26-Apr-23		CLIENT						
DENOMINATION						PART NUMBER		
30g acrylic airless jar								
PROJECT	DATE	FILE					REFERENCE	