

A

B

C

D

E

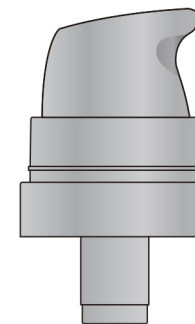
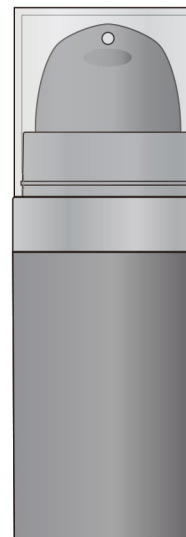
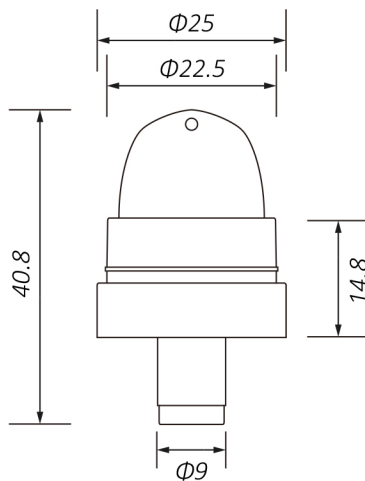
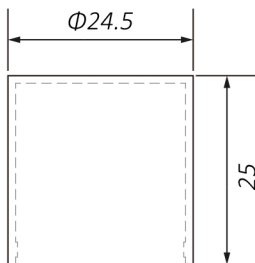
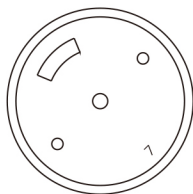
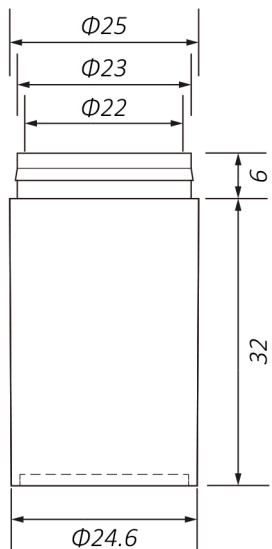
F

1

2

3

4



SCALE

MATERIAL

PIECES

CONSTANT THICKNESS

DEFAULT RADIUS

DRAFT ANGLE

WEIGHT (Gram)

PAGE

TREATMENT

FINISH

DESIGNER

DATE 09-Oct-21

CLIENT

DENOMINATION

PART NUMBER

105524 5ml PP snap on airless bottle

PROJECT

DATE

FILE

REFERENCE