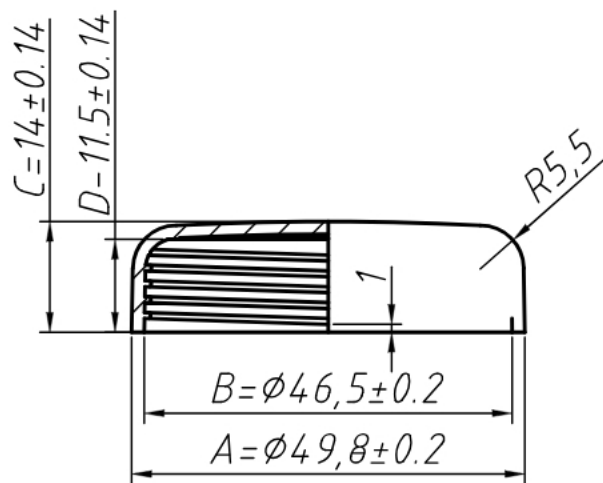
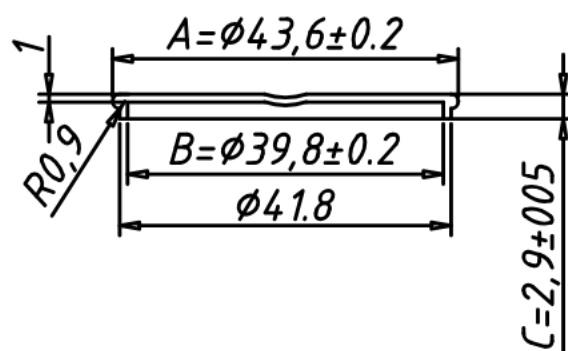


|       |           |        |           |          |             |
|-------|-----------|--------|-----------|----------|-------------|
| Sifra | LAR030    | Naziv  |           | Masa     | 15,05±0.55g |
| Risal |           | Kontr. |           | Material | PP/PP       |
| Dne   | 2.10.2002 | Dne    | 2.10.2002 | Merilo   | 1:1         |



|       |           |        |           |          |                                    |
|-------|-----------|--------|-----------|----------|------------------------------------|
| Sifra | PLAR030   | Naziv  |           | Masa     | MAT-5.1±0.3g<br>SV.-4.7±0.3g       |
| Risal |           | Kontr. |           | Material | MAT-PP-HG385M0<br>SIJAJ-PP-HF136M0 |
| Dne   | 10.5.2002 | Dne    | 10.5.2002 | Merilo   | 1:1                                |



|       |          |        |          |          |            |
|-------|----------|--------|----------|----------|------------|
| Sifra | TEAR030  | Naziv  |          | Masa     | 1.6±0.15g  |
| Risal |          | Kontr. |          | Material | PP-HF136M0 |
| Dne   | 4.5.2002 | Dne    | 4.5.2002 | Merilo   | 1:1        |