

A

B

C

D

E

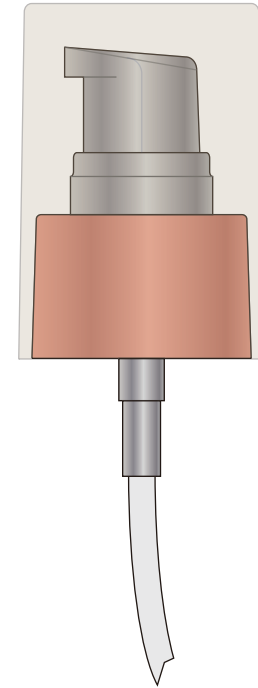
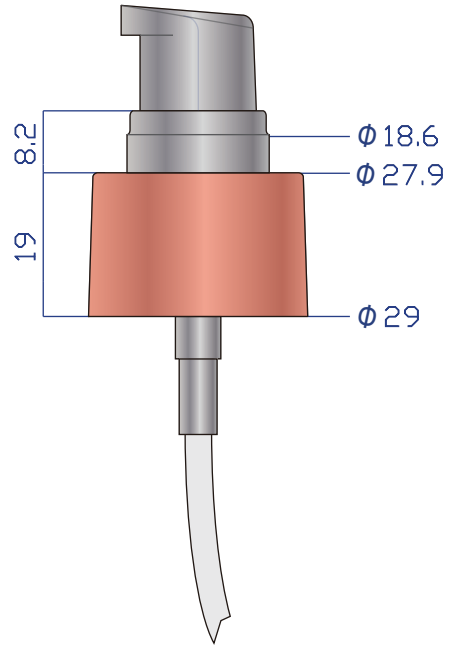
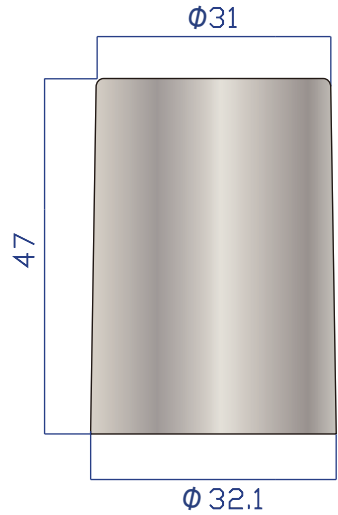
F

1

2

3

4



	SCALE	MATERIAL	PIECES	CONSTANT THICKNESS	DEFAULT RADIUS	DRAFT ANGLE	WEIGHT (Gram)	PAGE	
		TREATMENT							
		FINISH							
		DESIGNER							
		DATE 19-Feb-20	CLIENT						
		DENOMINATION					PART NUMBER		
		PL-24PB cream pump							
		PROJECT	DATE	FILE				REFERENCE	