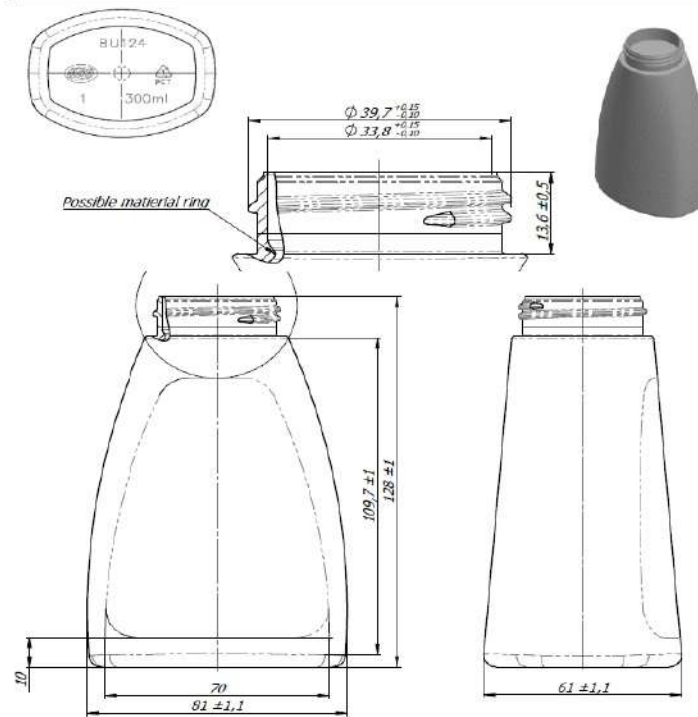


SPECIFICATION

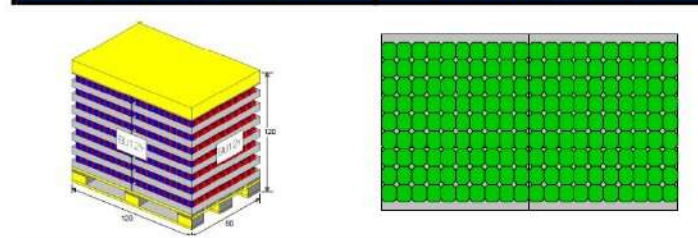
PARAMETER	METHOD / DEVICE
WEIGHT	Digital scale Axis (precision 0,01g)
HEIGHT	GAWIS 4D, Gawis-OD Agr / Electronic altimeter (precision 0,01mm)
TOP LOAD	Top Load Agr / Digital Newton meter BFG N (0,1-500N)
DIAMETER	Gawis 4D, Gawis-OD Agr / Micrometer of 0,001mm precision, according to DIN863
COMPONENTS	Gawis 4D, Gawis-OD Agr / Digital caliper of 0,01mm precision, according to DIN 862
MATERIAL DISTRIBUTION & WALL THICKNESS	Gawis 4D, Gawis-OD Agr / PTG5004 AGR, AMTG-2 Accurate Magnetic Thickness Gauge
TOTAL CAPACITY AND FILLING HEIGHT	Combi Agr
HORIZONTAL AND VERTICAL ALIGNMENT	Gawis 4D, Gawis-OD Agr / Angle gauge, according to DIN 875/0 + Gap gauge (0.05-1,0mm) (max. 1.0mm/100mm)
STABILITY ON THE SURFACE	Flat marble slab + Gap gauge (0,05-1,0mm)
COLOUR	Spectrophotometer Ci5 (laser measurement) according to standard
TIGHTNESS	Vacuum chamber (underpressure of 600mbar during 180s.)
DROP TEST	Trap on 1,5m height

PRODUCT IMPLEMENTATIONS AND QUALITY ANALYSIS ARE PERFORMED WITH THE USE OF THE FOLLOWING DEVICES: Gawis 4D, Agr Gawis-OD, Top Load/Combi, PTG5004, PG9800T, AMTG-2 Accurate Magnetic Thickness Gauge

TECHNICAL DRAWING



PACKAGING



ON PALLET	1440
LAYERS	8
ON LAYER	2x90 (180 pcs)
PALLET HEIGHT (mm)	1200,00mm

Capacity:	300 ml
Thread:	40-400
Material:	poli(tereftalan etyleni)

Parameters	Given dimensions	Tolerance
Height (mm)	128,00	+/- 1,0
Base length (mm)	81,00	+/- 1,1
Base width(mm)	61,00	+/- 1,1
Weight (gr)	24,00	+/- 1,0
Total capacity (ml)	345,00	+/- 7,0
Distance to the cap (mm)	13,60	+/- 0,5
Outer diameter thread with a roll (mm)	39,70	+0,15 -0,1
Inner diameter of the hole (mm)	33,80	+0,15 -0,1
VERTICAL (max 1/100mm)	V	-
IT SHRINKS ON SURFACE SECONDARY	X	-
SHAPE CONFORMITY	V	-
STABILITY BASE BOTTLE	V	-

STORAGE CONDITIONS

Product should be stored in clean, dry, airy condition. Keep in temperature between -10° do 40°C and humidity 0-90% . Products must to be protected against the harmful effects of radiant heat or direct sunlight. Do not stored in open landfills. Product packaging must be clean, dry and free of odors.

106425 - Bottle, 40/400, 300 ml, screw on, transparent, oval, PET