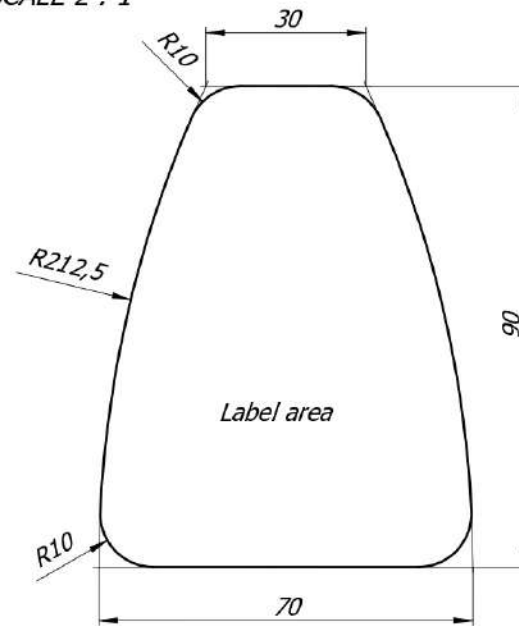
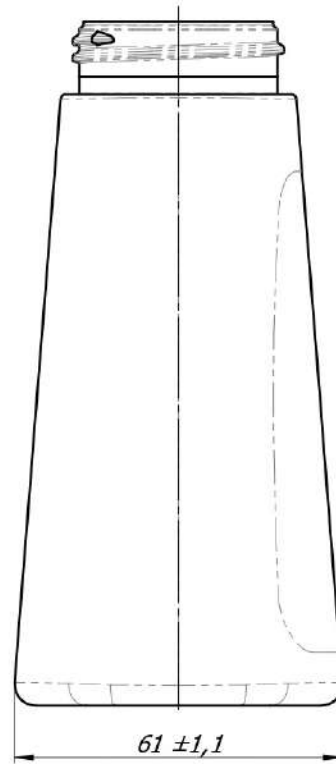
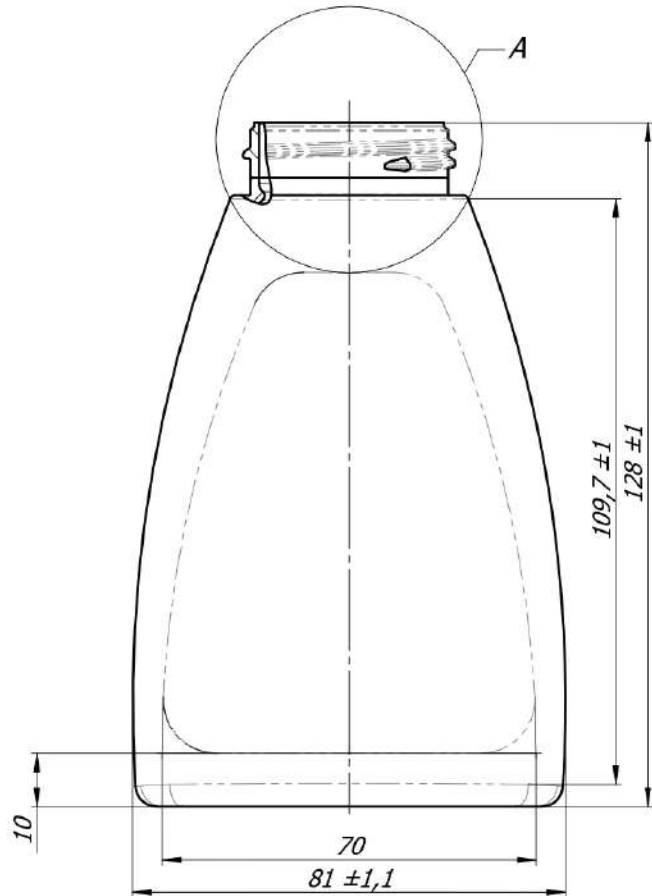


DETAIL A
SCALE 2 : 1



Note:

Dimensions without tolerances depend on the blow parameters.

Content	300ml	Name	G.Žalejko	Date	07.04.2014	Revised by	F.K	Rev. no.	01.09	Rev. date	22.03.2024
Content (brimfull)	345±7 ml	Author	G.Žalejko	07.04.2014	F.K	01.08	22.03.2024				
Material	PET	Drawn by	G.Žalejko	07.04.2014	F.K	01.08	22.03.2024				
Weight	24±1g	Scale: 1:1	Size: A3								
Neck	40-400	106425									