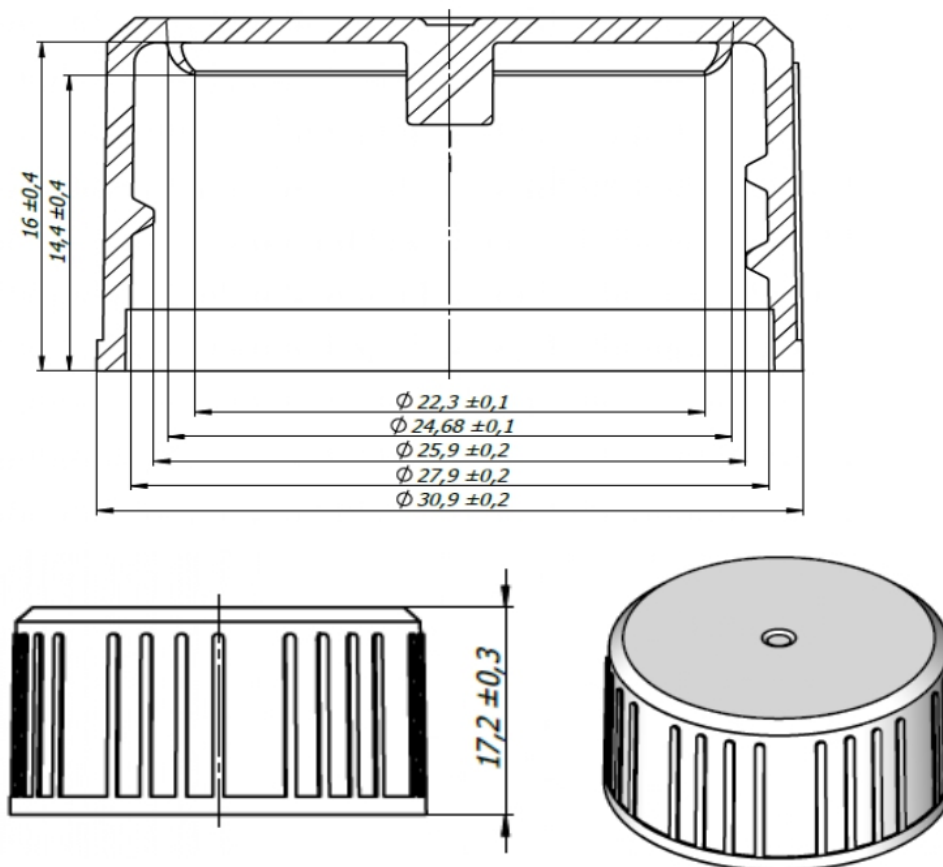


CLOSURE SPECIFICATION

TECHNICAL DRAWING



RECOMMENDED TORQUE [Nm]

1,50 - 2,00

Given values of the recommended torque are approximate. The appropriate torque value for a given application depends on many factors and should be determined empirically by the customer, in conditions of the closure application.

THREAD	28-410
MATERIAL	polypropylene
DIMENSIONS	
outer diameter [mm]	30,90 +/- 0,20
height [mm]	17,20 +/- 0,30
total depth [mm]	14,40 +/- 0,40
weight [g]	2,60 +/- 0,50
DESTINATION	
The closure for PET bottles	
STORAGE CONDITIONS	
Keep the product in 5°C-35°C temperature. The products must be protected against the harmful effects of radiant heat, direct sunlight, against mechanical damage, from exposure to organic solvents. Products should not be stored in open landfills. Product packaging must be clean, dry and free of odors.	
TRANSPORT CONDITIONS	
The packaging must be transported by any covered means of transport.	
USAGE CONDITIONS	
It is advisable to store closures at room temperature (15 - 25 °C) for at least 24 hours before processing.	
WARRANTY	
Usability period of packaging is 12 months from the date of delivery, while respecting these guidelines.	
Not following recommendations regarding conditions of storage, transport and packaging may result in deterioration of performance parameters of closures or completely prevent proper functioning.	
PARAMETER	METHOD / DEVICE
WEIGHT	Digital scale Axis (d=0.01)
HEIGHT	Digital altimeter Mitutoyo (0.01mm/0,0005)
DIAMETER	Micrometer of 0.01mm precision, according to DIN 863
COMPONENTS	Digital caliper of 0.001mm precision, according to DIN 862
ITEM CODE	
106491, 106544	