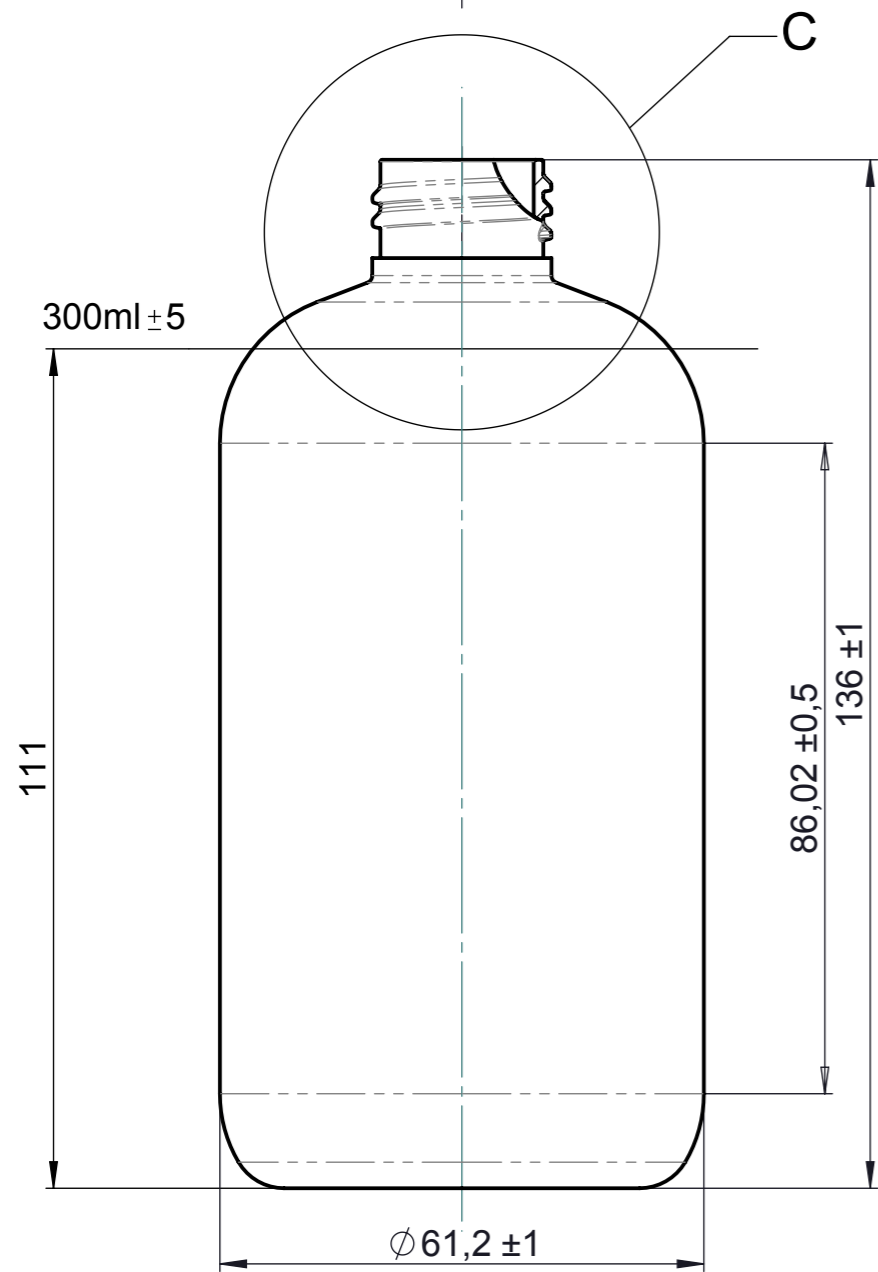


Pitch: $3,18 \pm 0,1$ mm
Turns of thread: 2
Start of thread: $2,1 \pm 0,2$

DETAIL C
SCALE 2 : 1



Content	330 ml	Scale: 1:1	Size: A3
Content (brimful)	316 ± 7 ml	Author	D. Luch
Material	PET	Approved	Date: 26.07.2010
Weight	26 ± 1 g		
Neck	24/410		
Cavity	3		