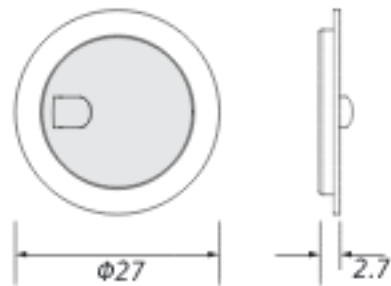
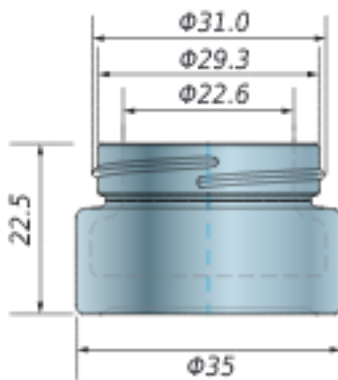


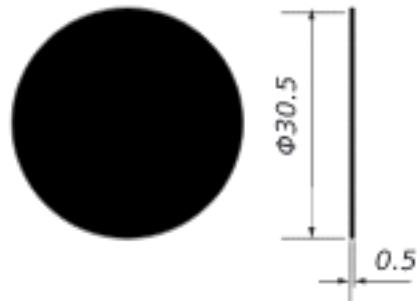
Cap




Seal



Jar



Gasket

	SCALE	MATERIAL	PIECES	CONSTANT THICKNESS	DEFAULT RADIUS	DRAFT ANGLE	WEIGHT (Gram)	PAGE	
	1:1	TREATMENT							1/1
		FINISH							
DESIGNER									
DATE 14-Sept-22			CLIENT						
DENOMINATION						PART NUMBER			
5g glass jar with cap(107180)									
PROJECT	DATE	FILE	REFERENCE						