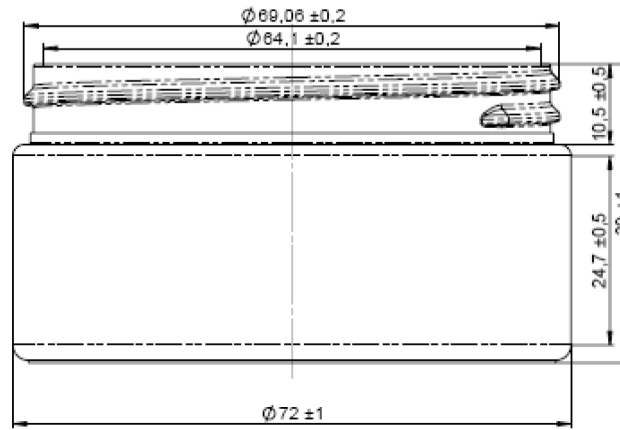


SPECIFICATION P593

PARAMETER	METHOD / DEVICE
WEIGHT	Digital scale Axis (d=0.01)
HEIGHT	Gawis-OD Agr / Digital altimeter Mitutoyo (0.01mm/0,0005)
TOP LOAD	Top Load Agr / Digital Newton meter BFG N (0,1-500N)
DIAMETER	Gawis-OD Agr / Micrometer of 0.01mm precision, according to DIN 863
COMPONENTS	Gawis-OD Agr / Digital caliper of 0.001mm precision, according to DIN 862
WALL THICKNESS	Gawis-OD Agr / Wall thickness gauge - PG9800T Scanner
MATERIAL DISTRIBUTION	Gawis-OD Agr / PG9800T Agr
TOTAL CAPACITY AND FILLING HEIGHT	Combi Agr
HORIZONTAL AND VERTICAL ALIGNMENT	Gawis-OD Agr / Angle gauge, according to DIN 875/0 + Gap gauge (0.05-1,0mm) (max. 1.0mm/100mm)
STABILITY ON THE SURFACE	Flat marble slab + Gap gauge (0.05-1.0mm)
COLOUR	Spectrophotometer SP62 (laser measurement) according to standard
DROP TEST	Trap on 1.5m height
TIGHTNESS	Vacuum chamber (underpressure of 600 mbar during 180 s)
PRODUCT IMPLEMENTATIONS AND QUALITY ANALYSIS ARE PERFORMED WITH THE USE OF THE FOLLOWING DEVICES: Agr Gawis-OD, Top Load/Combi, PTG5004, PG9800T	

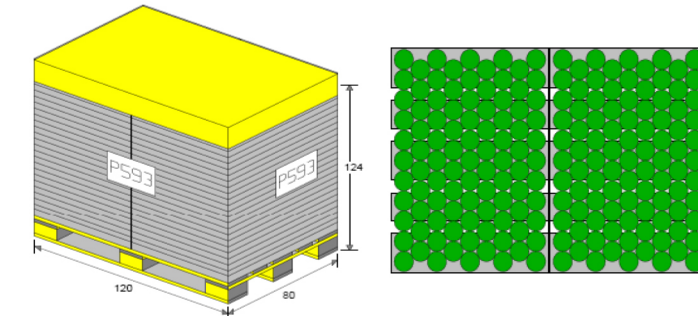
TECHNICAL DRAWING



Capacity:	100,0ml
Thread:	STC70/400
Material:	polyethylene terephthalate

Parameters	Given dimensions	Tolerance
Height (mm)	39,00	+/- 1,0
Base diameter (mm)	72,00	+/- 1,0
Weight (g)	15,00	+/- 1,0
Total capacity (ml)	136,00	+/- 4,0
Distance to the cap (mm)	10,50	+/- 0,5
Outer diameter thread with a roll (mm)	69,06	+/- 0,2
Inner diameter of the hole (mm)	64,10	+/- 0,2
VERTICAL (max 1/100mm)	v	v
IT SHRINKS ON SURFACE SECONDARY	x	-
SHAPE CONFORMITY	v	-
STABILITY BASE BOTTLE	v	-

VISUAL PACKAGING



PACKAGING	
ON PALLET	4940
LAYERS	13
ON LAYER	2x190
PALLET HEIGHT	1240,00mm

06.11.2014
date, authorised person signature

DECLARATION OF CONFORMITY OF THE RAW MATERIALS

No. BDO 000310743

Product CODE/Raw Material	Product Name/Raw Material
ZZ-NA-AK001-0070-F-Z0010-NZU1	Closure closure AK001 thread 70 /400 Black opaque Z0010 low closure with sealing
4030/11165 PE-PP	Dye
MOPLEN HP500N	Polypropylene

DYE - COMPLIANCE OF RAW WITH THE LEGAL REGULATIONS REQUIREMENTS

Based on the manufacturer's documentation, we declare that the raw material used for production is compliant with the following legal regulations

Regulation of the European Parliament and Council Regulation (EC) No 1935/2004 of 27 October 2004 on materials and articles intended to come into contact with food and repealing Directives 80/590/EEC and 89/109/EEC

Commission Regulation (EC) No 2023/2006 of 22 December 2006 on good manufacturing practice for materials and articles intended to come into contact with food

Resolution AP (89) 1 concerning the use of dyes in materials and articles intended to come into contact with food

Recommendation IX BfR (Federal Institute for Risk Assessment)

Commission Regulation (EC) No 10/2011 of 14 January 2011 the materials and articles intended to come into contact with food - packaging may be used for contact with all types of food as amended

Commission Regulation (EC) No 1895/2005 - BADGE, NOGE and BFDGE are not used for the production of this species

European Parliament and Council Directive 94/62/EC December 1994 on packaging and packaging waste

The product meets the requirements CONEG on heavy metal content below 100 ppm for total random contents of cadmium, chromium, lead and mercury

POLYPROPYLENE - COMPLIANCE OF RAW WITH THE LEGAL REGULATIONS REQUIREMENTS

Based on the manufacturer's documentation, we declare that the raw material used for production is compliant with the following legal regulations

Regulation of the European Parliament and Council Regulation (EC) No 1935/2004 of 27 October 2004 on materials and articles intended to come into contact with food and repealing Directives 80/590/EEC and 89/109/EEC

Commission Regulation (EC) No 2023/2006 of 22 December 2006 on good manufacturing practice for materials and articles intended to come into contact with food

Commission Regulation (EC) No 10/2011 of 14 January 2011 the materials and articles intended to come into contact with food - packaging may be used for contact with all types of food as amended

Requirements United States Agency - Food and Drug Administration in the range of 21 § 177.1520 (a) (1) (i) and (c) 1.1a

Commission Regulation (EC) No 1895/2005 - BADGE, NOGE and BFDGE are not used for the production of this species

The product meets the requirements CONEG on heavy metal content below 100 ppm for total random contents of cadmium, chromium, lead and mercury

European Parliament and Council Directive 94/62/EC December 1994 on packaging and packaging waste

Directive 2011/65 of the European Parliament and of the Council of 8 June 2011 on electrical and electronic equipment unloading equipment

Regulation (EC) No 1907/2006 of the European Parliament and of the Council of 18 December 2006 concerning the Registration, Evaluation, Authorisation and Restriction of Chemicals - ANEX XIV, XV

2023-01-25

date