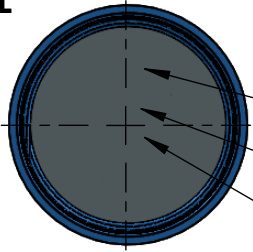
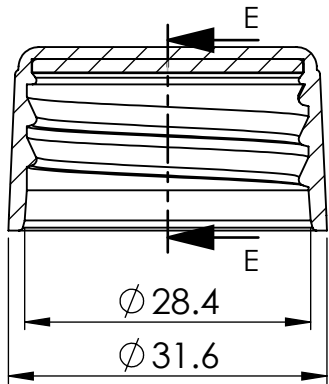


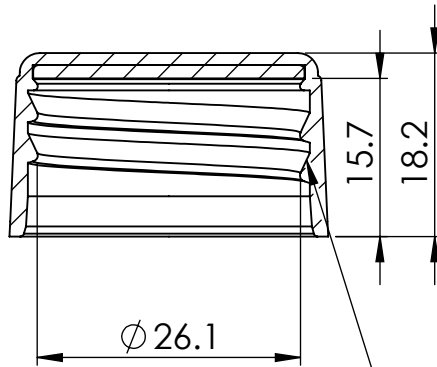
SEAL



Diameter : 27 mm
Thickness : 1.3 mm
Material : EPE

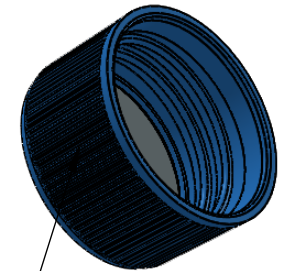
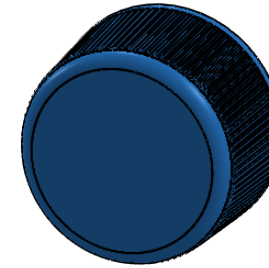


SECTION D-D
SCALE 4 : 3

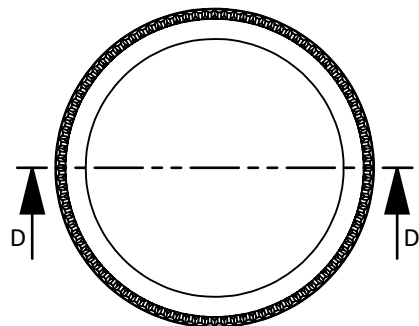


SECTION E-E
SCALE 4 : 3

Thread Type: Butress
Pitch: 4 mm



KNURLS: 100



				UNLESS OTHERWISE SPECIFIED: DIMENSIONS ARE IN MILLIMETERS SURFACE FINISH MIRROR FINISH TOLERANS: +/-0.2MM		DO NOT SCALE DRAWING		REVISION	
				DRAWN		SIGNATURE		DATE	
CHK'D						BOX SIZE(LXWXH) 55x38x47		TITLE:	
						BOX CAPACITY 5000		<p>K501</p> <p>KLOR_CAP_28MM</p>	
						BOX WEIGHT 19.5 kg			
						MATERIAL:		DWG NO.	
						<p>PP</p>		A4	
						WEIGHT: 3.6 grams +/-%2		SCALE: 4:3	
								SHEET 1 OF 1	