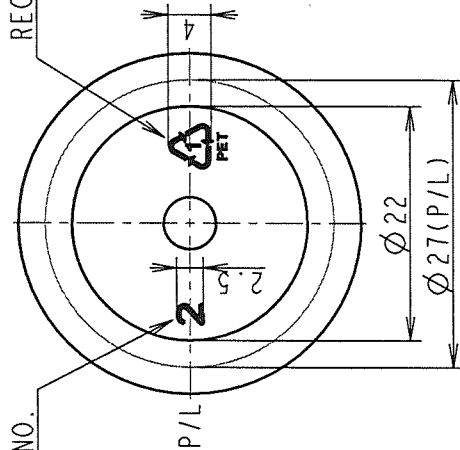
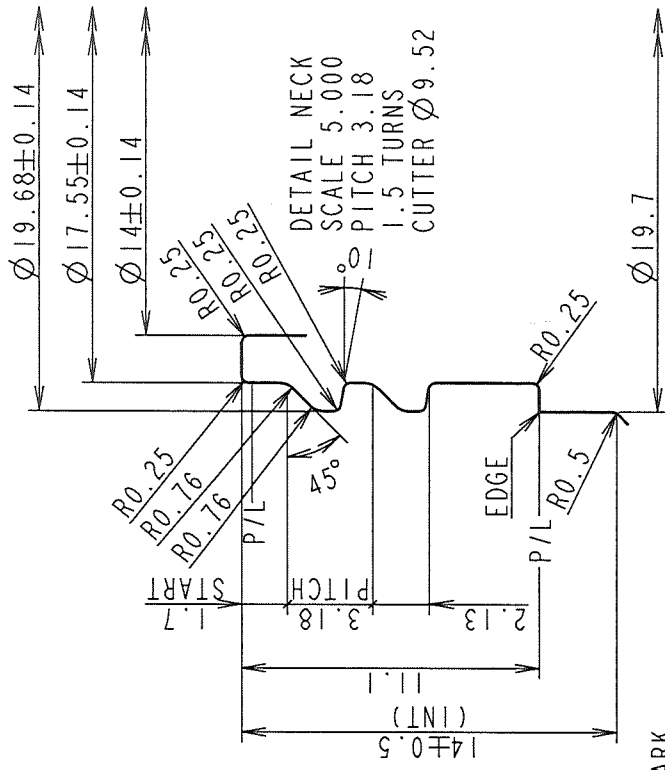


DATE OF ISSUE
AUG. 27. 2019
ASB International
Pvt. Ltd.



BOTTOM VIEW



NOTES

1. OVERFLOW CAPACITY 58 ± 2.1 mL
2. FILL POINT CAPACITY 50 mL
3. WEIGHT 10 ± 0.5 g
4. The dimensions without tolerance to be based on "ASB TOLERANCES"
5. * Marked dimension for manufacturing only. Actual bottle may not achieve this value.

REV.	DATE	REVISIONS	BY
A3		CUSTOMER	
MODEL	ASB-12M	QTY	4
DWG. NO		SCALE	41-6068-00A
NAME	50ml BOTTLE	SCALE	2/1(5/1)
REFERENCE NOTE	DR'W	CD'D	APPR.
38-6036-01A	VD	YBJ	SFF
		MATERIAL	PET
		DATE	AUG. 27. '19

UI	0	U2	0	D	0
N	2.1 (14)	S	81.7 : 6.1	P	25.1