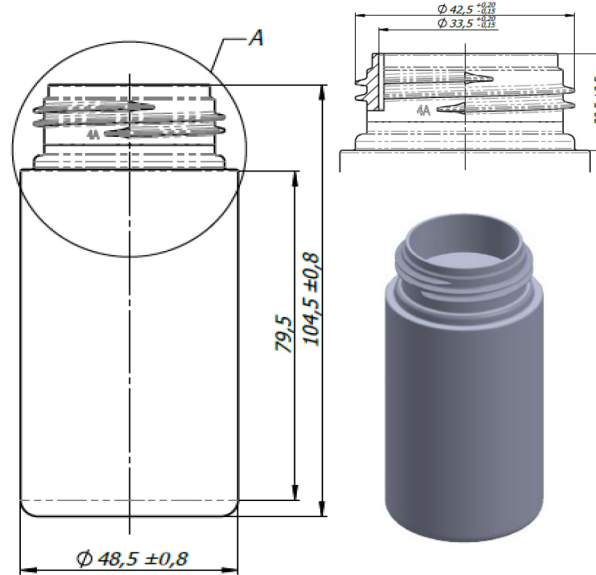


# SPECIFICATION BU118

PARAMETER	METHOD / DEVICE
WEIGHT	Digital scale Axis (precision 0,01g)
HEIGHT	GAWIS 4D, Gawis-OD Agr / Electronic altimeter (precision 0,01mm)
TOP LOAD	Top Load Agr / Digital Newton meter BFG N (0,1-500N)
DIAMETER	Gawis 4D, Gawis-OD Agr / Micrometer of 0,001mm precision, according to DIN863
COMPONENTS	Gawis 4D, Gawis-OD Agr / Digital caliper of 0,01mm precision, according to DIN 862
MATERIAL DISTRIBUTION & WALL THICKNESS	Gawis 4D, Gawis-OD Agr / PTG5004 AGR, AMTG-2 Accurate Magnetic Thickness Gauge
TOTAL CAPACITY AND FILLING HEIGHT	Combi Agr
HORIZONTAL AND VERTICAL ALIGNMENT	Gawis 4D, Gawis-OD Agr / Angle gauge, according to DIN 875/0 + Gap gauge (0.05-1,0mm) ( max. 1.0mm/100mm)
STABILITY ON THE SURFACE	Flat marble slab + Gap gauge (0,05-1,0mm)
COLOUR	Spectrophotometer Ci5 (laser measurement) according to standard
TIGHTNESS	Vacuum chamber (underpressure of 600mbar during 180s.)
DROP TEST	Trap on 1,5m height
<b>PRODUCT IMPLEMENTATIONS AND QUALITY ANALYSIS ARE PERFORMED WITH THE USE OF THE FOLLOWING DEVICES: Gawis 4D, Agr Gawis-OD, Top Load/Combi, PTG5004, PG9800T, AMTG-2 Accurate Magnetic Thickness Gauge</b>	

## TECHNICAL DRAWING

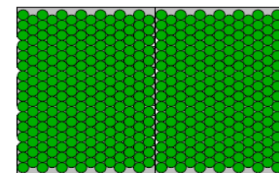
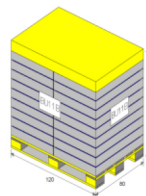


<b>Capacity:</b>	100 ml
<b>Thread:</b>	43-400
<b>Material:</b>	polyethylene terephthalate

Parameters	Given dimensions	Tolerance
Height (mm)	104,50	+/- 0,8
Diameter of base (mm)	48,50	+/- 0,8
Weight (g)	22,50	+/- 1,0
Total capacity (ml)	161,00	+/- 3,0
Distance to the cap (mm)	20,50	+/- 0,5
Outer diameter thread with a roll (mm)	42,50	+0,2 / -0,15
Inner diameter of the hole (mm)	33,50	+0,2 / -0,15
VERTICAL (max 1/100mm)	v	v
IT SHRINKS ON SURFACE SECONDARY	x	-
SHAPE CONFORMITY	v	-
STABILITY BASE BOTTLE	v	-

## VISUAL PACKAGING

PALLET APPEARANCE	ARRANGEMENT ON LAYER
-------------------	----------------------



ON PALLET	4340
LAYERS	10
ON LAYER	217*2 (434)
PALLET HEIGHT	1,22 m

## STORAGE CONDITIONS AND EXPIRY DATE

Storage rooms should be dry, airy, with no access to sunlight, with a temperature of -10°C to 40°C and air humidity of 0-90%. In the case of storage at a temperature lower than room temperature, it is recommended to condition it for at least 24 hours at room temperature before packaging and labelling. Expiry date of the packaging: up to 12 months from the date of purchase.