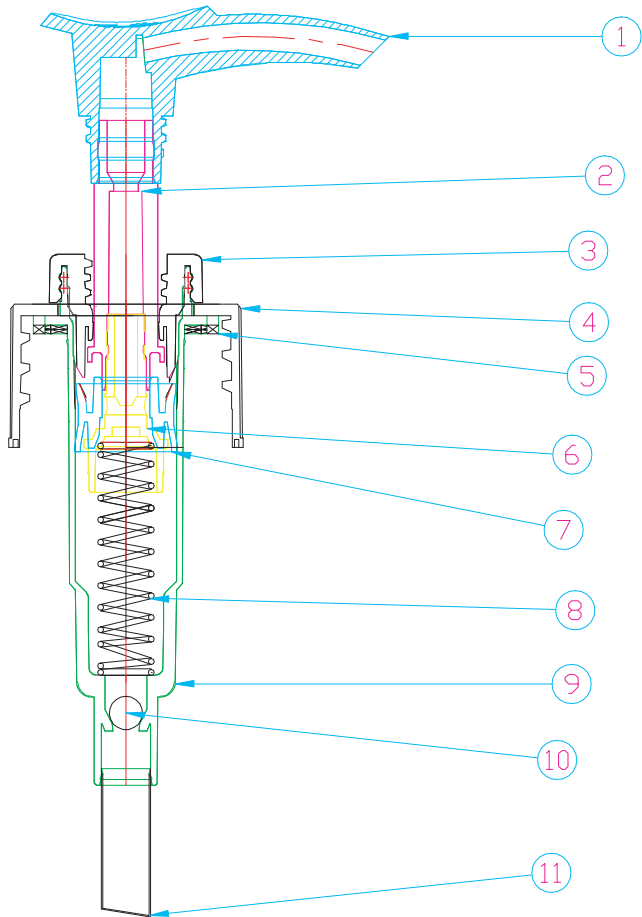
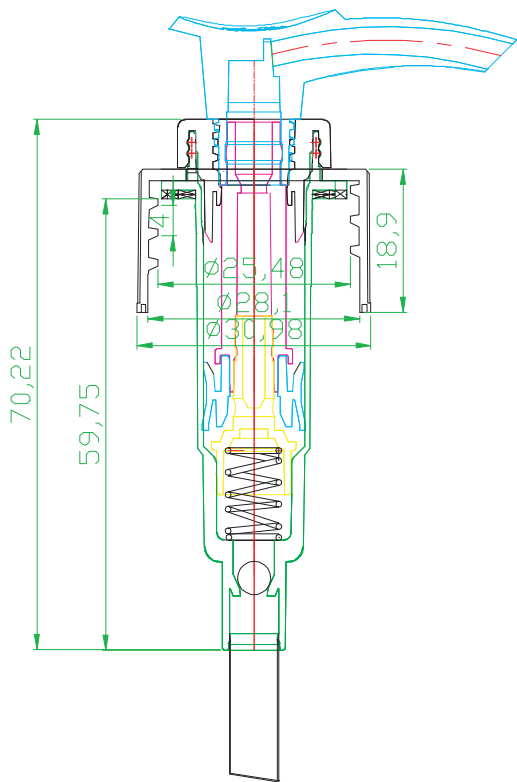
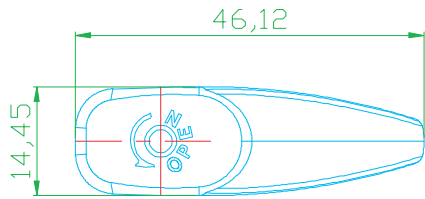


No.	Material
1	PP
2	PP
3	PP
4	PP
5	PE
6	PP
7	PE
8	SUS304
9	PP
10	Glass
11	PE



	SCALE	MATERIAL	PIECES	CONSTANT THICKNESS	DEFAULT RADIUS	DRAFT ANGLE	WEIGHT (Gram)	PAGE
	1:1	TREATMENT						1/1
		FINISH						
DESIGNER								
DATE 11-Feb-25		CLIENT						
DENOMINATION						PART NUMBER		
PROJECT		DATE		FILE			REFERENCE	