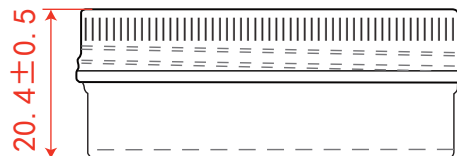
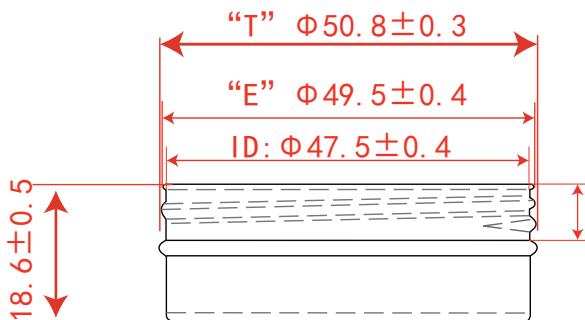


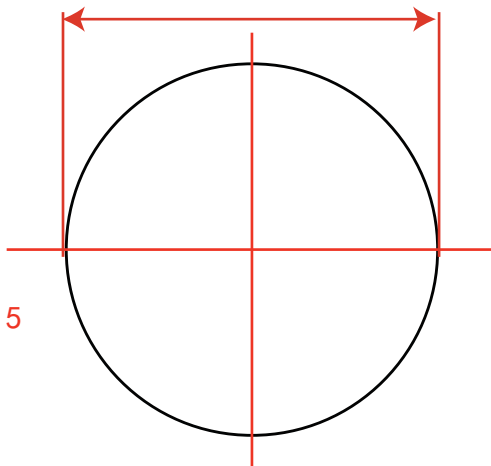
垫片到口部深度 8.7 ± 0.5



$1.5 + 0.15 / - 0.1$



$\Phi 51.0 \pm 0.5$



OFC = 33 ± 3 ml

Thickness: 0.3 ± 0.03 mm