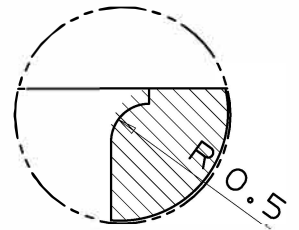
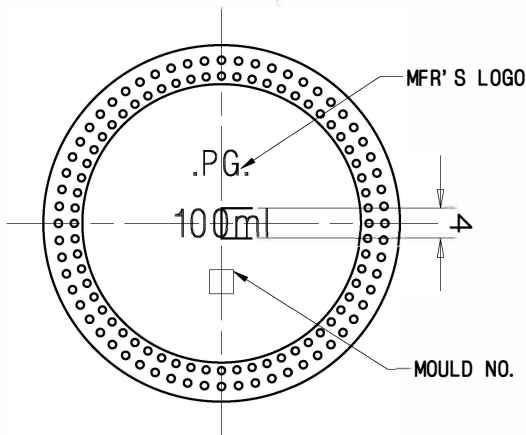


FINISH DETAILS
SCALE= 3:1



DETAIL C
SCALE 10:1

APPROVED :
CUSTOMER:
SIGN:
NAME:
DATE:

WARE

100ml PWG NEW

SCALE:

NOT TO SCALE

TYPE:

COLOUR:

PROD. CATG.:

ALL DIM'S ARE IN MM, DO NOT SCALE DRAWING

III

AMBER

d	.PG. WAS .GG.	26/03/13	SHREYAS
c	HINTERBLASUNG SHOWN & MIN THRU BORE $\phi 9.5$ ADDED.	19/04/10	KGS
b	FINISH DETAILS UPDATED.	12/04/10	KGS
a	DETAILS 'C' ADDED	07-04-2010	GG
REV.NO.	REVISION	DATE	SIGN

DES'D BY	DATE:	OVERFLOW CAPACITY (ml)	FILLING CAP.(ml)	WEIGHT (gm)	NECK FINISH
DILIP	30-03-10	110 ± 3.0	----	100 ± 8	DIN-18
CHK'D BY	APP'D BY	DRG. NO.	PGJ-B-A3: 5403		REV. d
GIGY	TKM				