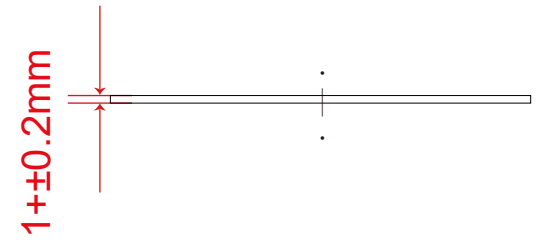
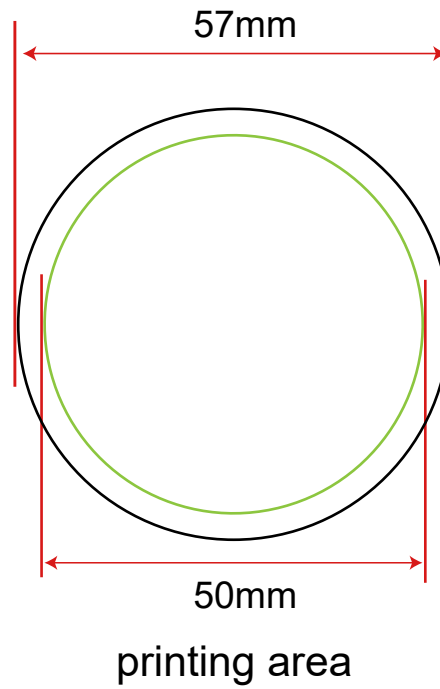
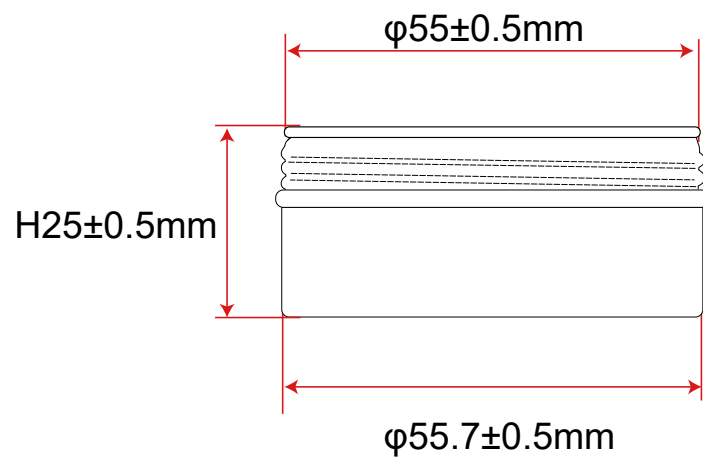


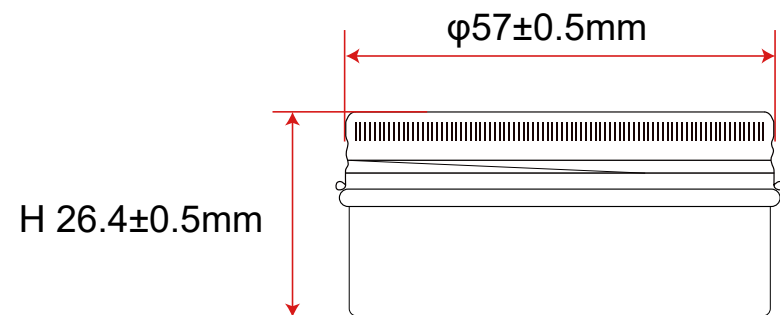
Cap



Form Gasket



Base



Assembly