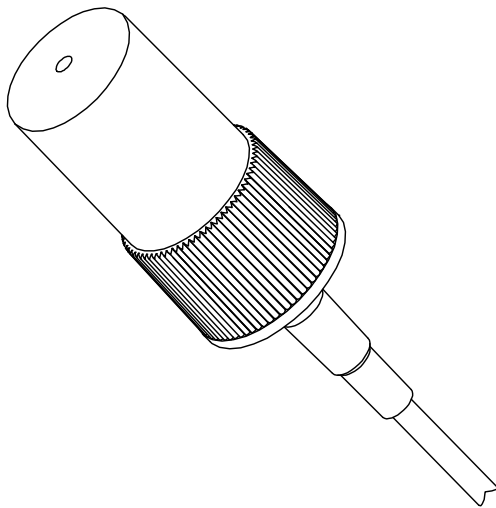
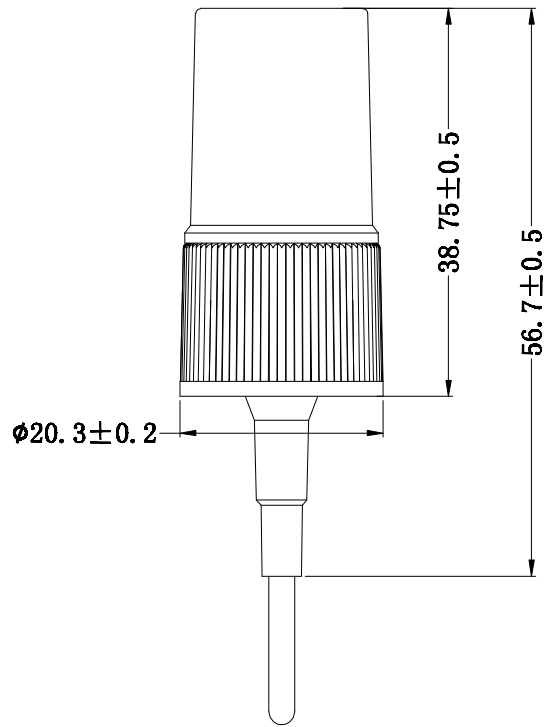
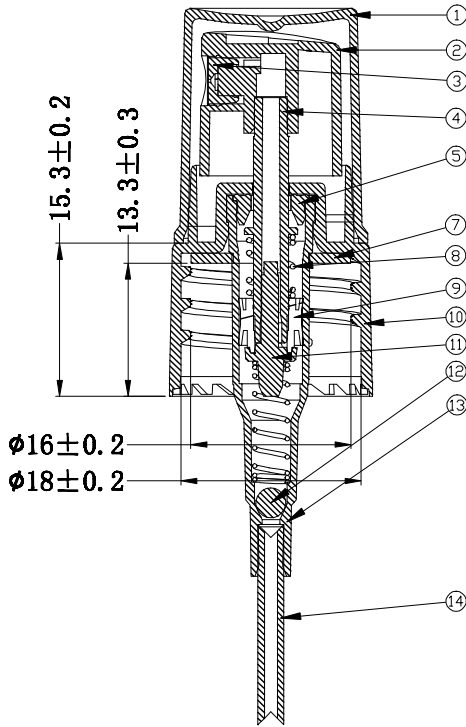


A4

| 版本 REV | 处数 NUMBER | 更改原因 Changer Reason | 日期 DATE |
|--------|-----------|---------------------|---------|
| 更改版本 | 处数 | 更改原因 | 更改日期 |



| 18 | part (零件) | -- | white or lucency | 1 | | |
|-----|-------------------|----------|----------------------|---------|-----|--------|
| 17 | part (零件) | -- | white or lucency | 1 | | |
| 16 | part (零件) | -- | white or lucency | 1 | | |
| 15 | alumite (氧化铝) | al | white or lucency | 1 | | |
| 14 | dip tube (吸管) | pp | φ2.6 | 1 | | |
| 13 | housing (壳体) | pp | white or lucency | 1 | | |
| 12 | glass ball (玻璃球) | glass | Sφ3.0 | 1 | | |
| 11 | cone (圆锥) | pom | natural | 1 | | |
| 10 | big circuit (大电路) | pp | color for order form | 1 | | |
| 9 | piston (活塞) | ldpe | natural | 1 | | |
| 8 | spring (弹簧) | 304h | stainless | 1 | | |
| 7 | gasket (垫片) | pe | φ16*1.2 | 1 | | |
| 6 | | | | | | |
| 5 | sear (弹簧) | ldpe | natural | 1 | | |
| 4 | slem (连接) | pom | natural | 1 | | |
| 3 | insert (插入) | pom | color for order form | 1 | | |
| 2 | actualor (实际) | pp | color for order form | 1 | | |
| 1 | guard (保护) | pp | white or lucency | 1 | | |
| NO. | Component | material | Spcification | Part no | QTY | Remark |

| | | | | | | |
|---|----------------|-----------------|----------------|-----|---------------|-------|
| 未注尺寸公差表 X.XX ±0.01 X.X ±0.1 X. ±0.25 X.XX° ±0.01° X.X° ±0.1° X. ±0.25° | 模具编号 MOLD NO. | | 零件名称 PART NAME | | 品名 PROD NAME | |
| | 零件编号 PART NO. | | 英文名称 ENG NAME | | 产品号码 PROD NO. | ----- |
| | 版本 REV | A | 材质 MATERIAL | | 客户 CUSTOMER | ----- |
| | 设计 DEG. BY | 吴科 | 热处理 HEAT TRT | | | |
| | 出图日期 SAVE DATE | 2019.3.28 | 数量 QUANTITY | | | |
| | 审核 APP. BY | | 单位 UNITS | MM | | |
| | 审核日期 APP. DATE | | 比例 SCALE | 1:1 | | |
| 页数 SHEET | | 投影视角 PROJECTION | | | | |