

1

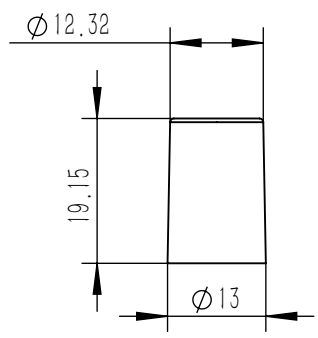
2

3

4

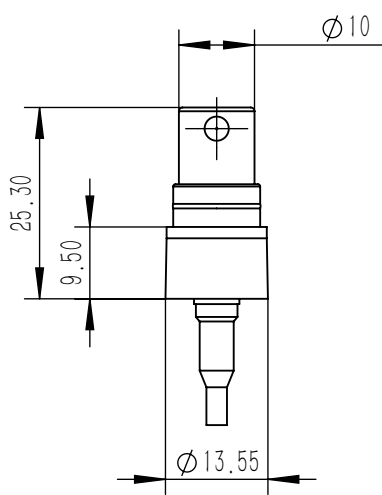
A

A



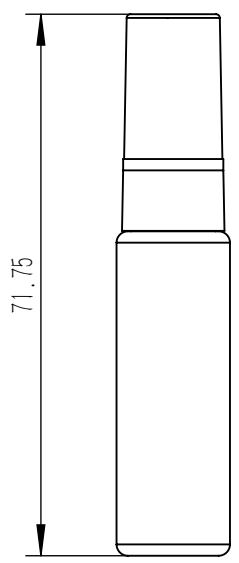
B

B



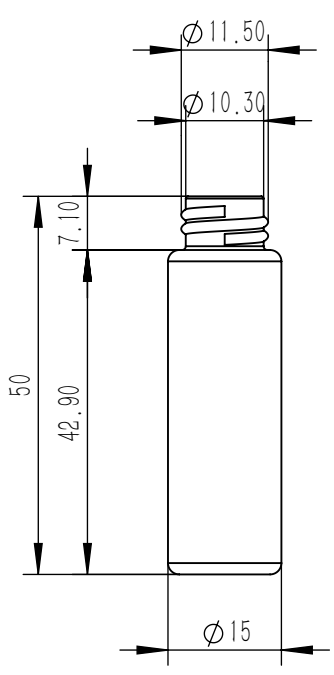
C

C



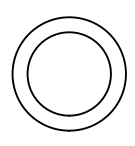
D

D

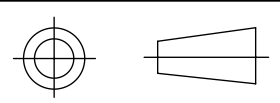


E

E



TOLERANCE FOR UNSPECIFIED EXTENSION



| | | | | | | | | | | |
|--------|------------|------------|-----------|---------------------------|---|-----------------------|--|----------------|--------------------------|-------------|
| | 1 | 2 | 3 | 客户名称: Customer | 备注: 图纸不得以手工修改 Remarks: This drawing disallow amend by hand | | | | | |
| 0-4 | ± 0.05 | ± 0.1 | ± 0.2 | 产品名称: Product name | 材料: Material | 重量: Weight | 容量: Capacity | 单位: mm Unit | | |
| 5-16 | ± 0.08 | ± 0.15 | ± 0.4 | 客户编号: Customer no | 配合物: Complex | | | | | |
| 17-64 | ± 0.12 | ± 0.25 | ± 0.5 | 瑞博编号: Ruibo no | 设计师: Designer | 日期: Date 2024/10/1 | 校对: Proofread | 日期: Date | 审定: Examine & Approve | 日期: Date |
| 65-250 | ± 0.25 | ± 0.4 | ± 0.8 | 客户确认: Customer confirm | 日期: Date | 5 | 图纸共 张/第 张 This drawing has pages Page | | 版本: Sample | |

F

F

1

2

3

4