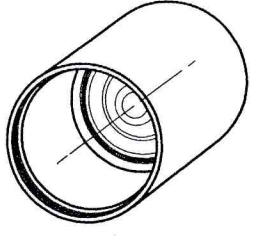



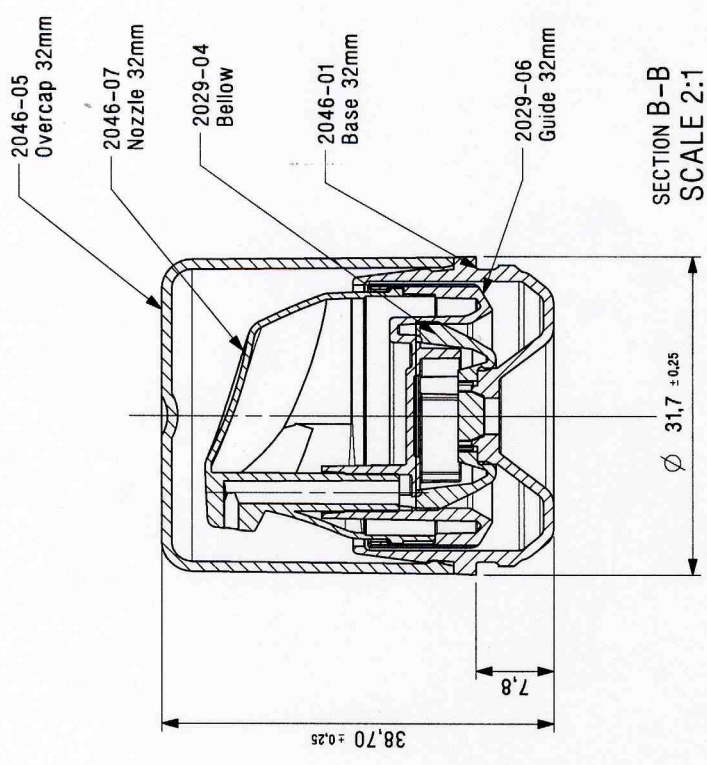
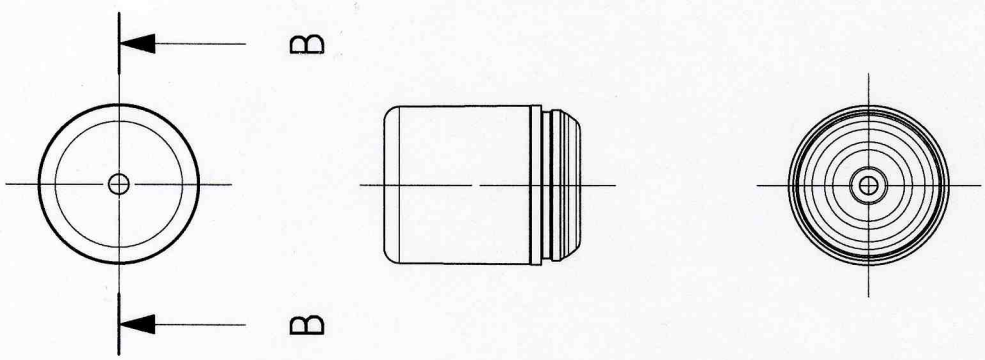
SECTION C-C



SCALE 1:1

Volume = 30 ml
 Piston Depth (15.7 ± 1.5mm) is measured on the planar surface of the piston
 Combined weight of Jar and Piston 9.35 ± 0.5 gr

Undefined Radius	Undefined Draft	Material	Shrink %
Und. Angle Tolerances	Surface Roughness/Structure		Volume mm ³
Undefined Tolerances	Scale 1:1	Am. Proj.	Proj. Surface Area mm ²
400036	Project: 2029 Pearl Airless 30ml	Date	04-08-2008
	Part: ASS. PEARL 30ML JAR (30ml)	Drawn	RS
	All rights strictly reserved. Reproduction or issue to third parties in any form whatever is not permitted without authority from the proprietors.	Checked	JdR
Drawing nr. 2046-00			A3



SECTION B-B
SCALE 2:1

Undeined Radius	Undeined Draht	Material	Shrink %
Und. Angle Tolerances	Surface Roughness/Structure		Volume mm ³
Undeined Tolerances	Scale 1:1 (2:1)	Am. Proj.	Proj. Surface Area mm ²
MeadWestvaco Galmar	Project: 2046 Pearl Airless 30ml	Date	04-08-2008
	Part: Assembly Pearl 30ml pump	Drawn	RS
All rights strictly reserved. Reproduction or issue to third parties in any form whatever is not permitted without authority from the proprietors.	Checked	JdR	
	Drawing nr. 2046-00	Rev. A	A3