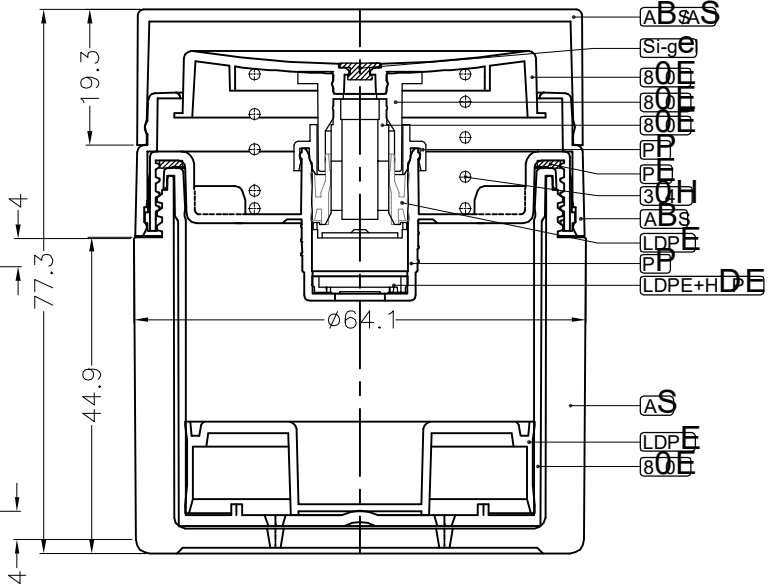
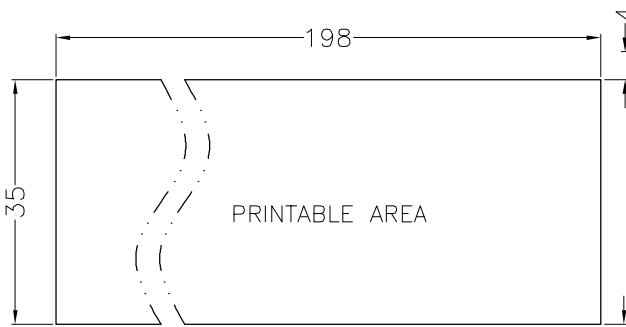


REV.	DESCRIPTION	NAME	DATE
-	-	-	-



TOLERANCE	$\delta$			WEIGHT	-	MAT'L	-	REMARK	-	
0mm-15mm	$\pm 0.05$	$\pm 0.10$	$\pm 0.50$	PART NO.:	-	YUYAO	Shanghai Best China Industry Co.,Ltd			
15mm-30mm	$\pm 0.05$	$\pm 0.15$	$\pm 1.00$	PART NAME:	AIRLESS BOTTLE-50ML					
30mm-50mm	$\pm 0.10$	$\pm 0.20$	$\pm 1.50$	APPD:	-	TITLE:				-
50mm-99mm	$\pm 0.15$	$\pm 0.30$	$\pm 2.00$	CHKD:	-	FILE NAME:	-			
> 99mm	$\pm 0.20$	$\pm 0.40$	$\pm 2.50$	DRAFTER:	2015/04/23	UNIT	PROJECTION DIR.	SCALE	SHEET	REV.
CENTER	$\pm 0.10$	$\pm 0.50$	$\pm 1.00$			mm <input checked="" type="checkbox"/> inch <input type="checkbox"/>		-	1/1	A
ANGLE	$\pm 0.25^\circ$	$\pm 0.50^\circ$	$\pm 2.00^\circ$							