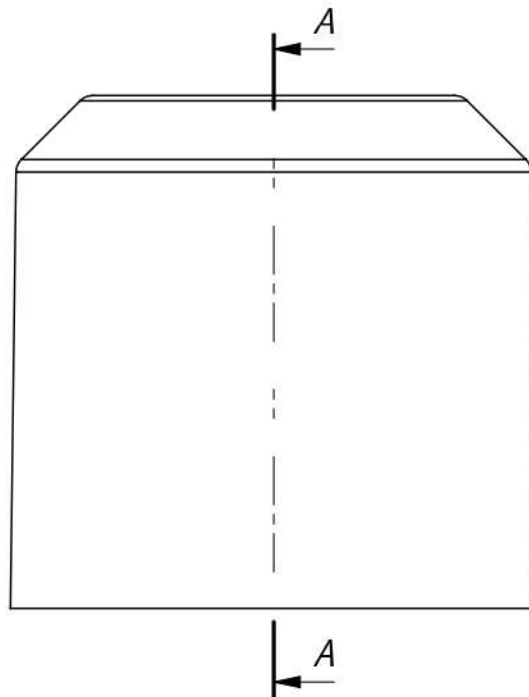
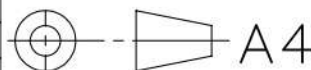


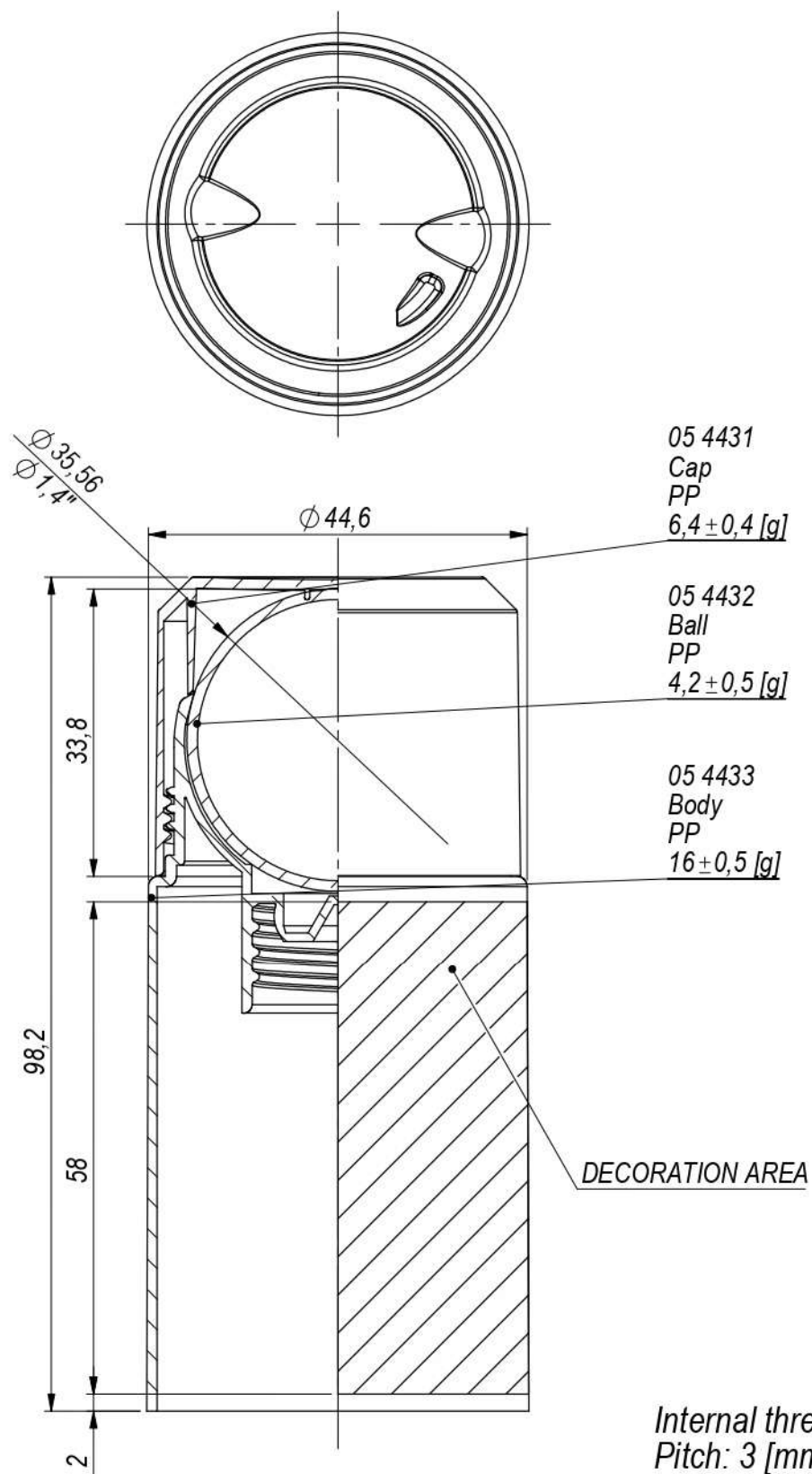
SECTION A-A



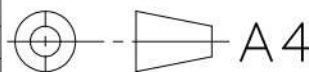
Thread 1-lead,  
Pitch: 3 [mm]

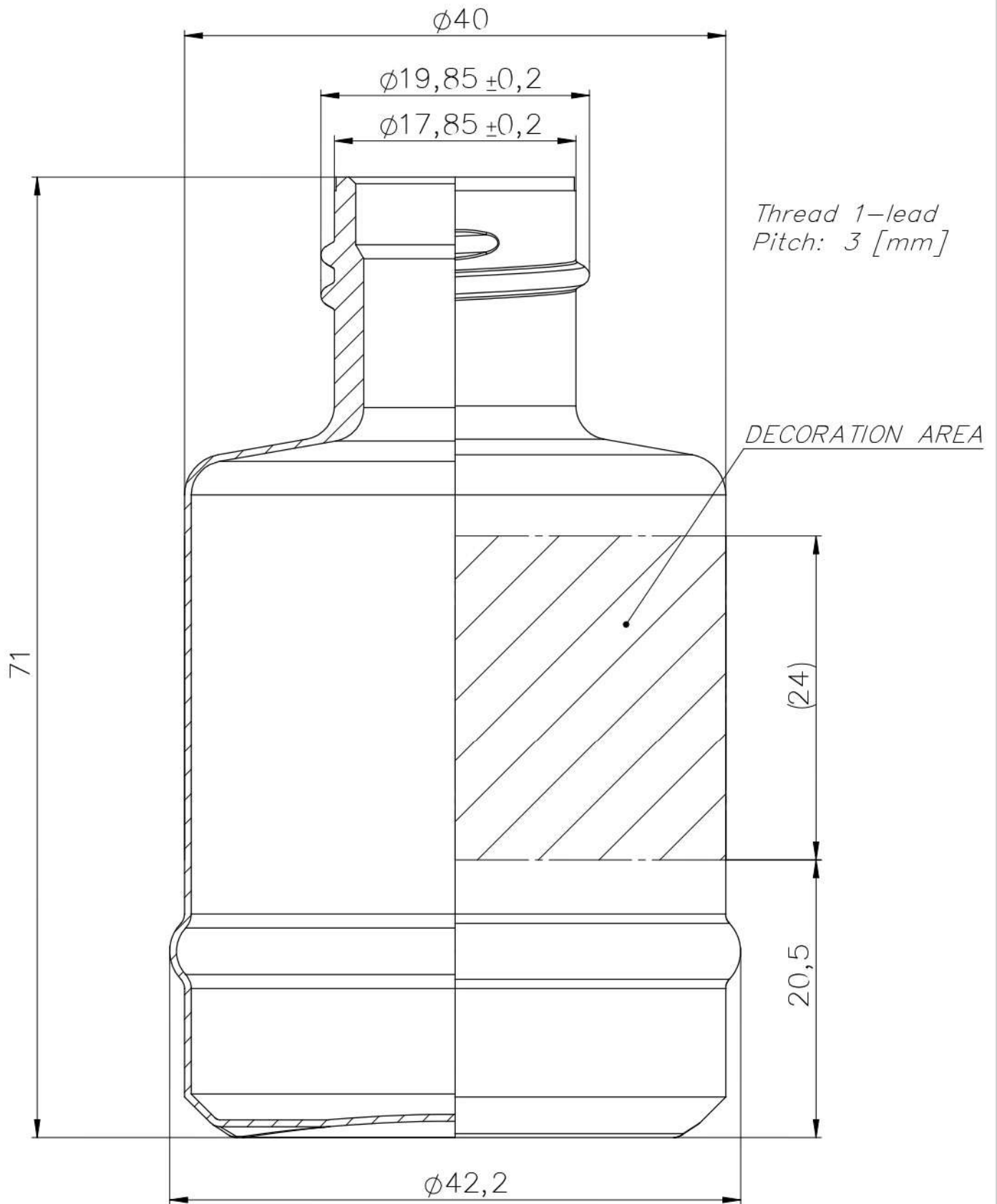
| ISSUE   | DATE                          | MODIFICATIONS       |   |
|---|-------------------------------|---------------------|---|
| ALL REPRODUCTION OR COMMUNICATION OF THIS INFORMATION TO A THIRD PARTY IS STRICTLY FORBIDDEN WITHOUT RPC BRAMLAGE WRITTEN AUTHORISATION |                               |                     | RPC BRAMLAGE WARSZAWA<br>ul. Batorego 6<br>05 400 Otwock Poland<br>Tel: (+48) 22 7199900<br>Fax: (+48) 22 7199926 |
| 108918  | ROLL-ON CAP for Refill Bottle |                     |   |
| DRAWN: RP   | DATE: 2017-08-28              | RAW MATERIAL: PP    | REFERENCE:<br>05 4052   |
| CHECKED: NK   | DATE: 2017-08-28              | WEIGHT: 2.4 ± 0.2 g | CUSTOMER:<br>STANDARD   |
| SCALE: 3:1  | ISSUE: NO                     | BRIMFUL CAPACITY:   | DRAWING NUMBER:<br>05 4052  |





| ISSUE   | DATE           | MODIFICATIONS            |   |
|---|----------------|--------------------------|---|
| ALL REPRODUCTION OR COMMUNICATION OF THIS INFORMATION TO A THIRD PARTY IS STRICTLY FORBIDDEN WITHOUT RPC BRAMLAGE WRITTEN AUTHORISATION |                |                          | RPC BRAMLAGE WARSZAWA<br>ul. Batoiego 6<br>05 400 Otwock Poland<br>Tel: (+48) 22 7199900<br>Fax: (+48) 22 7199926 |
| 108916  |                | ROLL ON BIG BALL 50-75ml | REFERENCE:<br>05 4434   |
| DRAWN: M.Rusiniak   | DATE: 16.12.25 | RAW MATERIAL: PP         | CUSTOMER:<br>STANDARD   |
| CHECKED: G.Wiaderek   | DATE: 16.12.25 | WEIGHT: 26,6 ± 1,4 [g]   | DRAWING NUMBER:<br>05 4434  |
| SCALE: 1.25:1   | ISSUE: NO      | BRIMFUL CAPACITY: - [ml] |   |





| ISSUE   | DATE | MODIFICATIONS                    |  |   |  |
|---|------|----------------------------------|--|---|--|
| ALL REPRODUCTION OR COMMUNICATION OF THIS INFORMATION TO A THIRD PARTY IS STRICTLY FORBIDDEN WITHOUT RPC BRAMLAGE WRITTEN AUTHORISATION |      |                                  |  | RPC BRAMLAGE WARSZAWA<br>ul. Batoiego 6<br>05 400 Otwock Poland<br>Tel: (+48) 22 7199900<br>Fax: (+48) 22 7199926 |  |
| 108917  |      | <i>ROLL-ON 50ml Refil Bottle</i> |  | REFERENCE:<br>L.203   |  |
| DRAWN: M.Rusiniak   |      | DATE: 28.06.23                   |  | CUSTOMER:   |  |
| CHECKED: G.Wiaderek   |      | DATE: 28.06.23                   |  | STANDARD  |  |
| SCALE: 2.5:1  |      | ISSUE: NO                        |  | DRAWING NUMBER:<br>L.203  |  |
| RAW MATERIAL: PP  |      | WEIGHT: $10 \pm 1$ [g]           |  |   |  |
| BRIMFUL CAPACITY: $56 \pm 3$ [ml]   |      | A4                               |  |   |  |