

Product data sheet

Item number: **68400**
Item name: **Carrier bag (HDPE) white 24+11 x 44 cm `4kg` [100 pcs]**

Item

Length: 24 cm Material thickness: 6,5 µm
Width/
diameter: 11 cm Color: white
Height: 44 cm Material 1: Polyethylene - high density
Weight: 1,65 g Material 2: Solvent (glue)

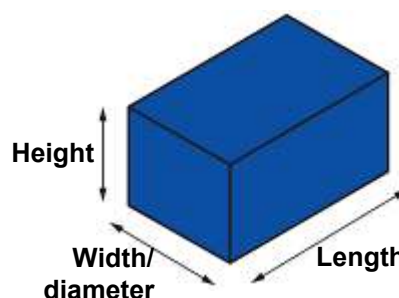
Customs nomenclature: 39232100



Package

Length: 44 cm No. of pieces in a package: 100 pcs
Width/
diameter: 24 cm Weight: 167 g
Height: 0,4 cm LOT: YES
EAN:

Packaging material: Polyethylene - high density (HDPE)
Packaging type: Sealed bag



Group packaging

Packaging material: Polyethylene - low density (LDPE)

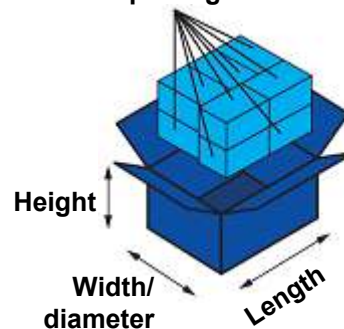
16 pkg.

Carton

Length: 45 cm No. of packages in a carton: 20 pkg.
Width/
diameter: 26 cm No. of pieces in a carton: 2000 pcs
Height: 8 cm Weight: 3,56 kg
Volume: 0,01 m3
EAN: 4052509684003
LOT: YES

Packaging material: Paper - corrugated cardboard (PAP)
Packaging type: Corrugated box

No. of packages in a carton:



Pallet

Layer height: 8 cm Height: 159 cm
Number of layers: 18 Weight: 405 kg
No. of cartons on
the layer: 6 No. of cartons on the pallet: 108 ctn
No. of packages on the pallet: 2160 pkg.
No. of pieces on the pallet: 216000 pcs

No. of cartons on the layer:

