

Product data sheet

Item number: **68411**
 Item name: **Carrier bag (HDPE) white 30+18 x 55 cm `10kg` [100 pcs]**

Item

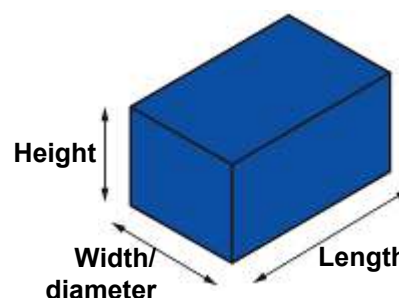
Length: 30 cm Material thickness: 11,5 µm
 Width/diameter: 18 cm Color: white
 Height: 55 cm Material 1: Polyethylene - high density
 Weight: 5 g Material 2: Solvent (glue)



Customs nomenclature: 39232100

Package

Length: 55 cm No. of pieces in a package: 100 pcs
 Width/diameter: 30 cm Weight: 504 g
 Height: 0,7 cm LOT: YES
 EAN:



Packaging material: Polyethylene - high density (HDPE)
 Packaging type: Sealed bag

Group packaging

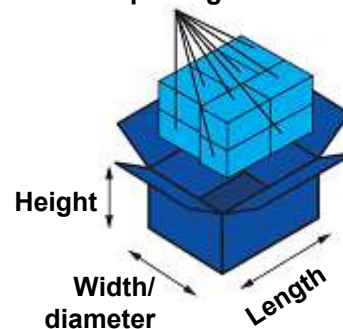
Packaging material: Polyethylene - low density (LDPE)

16 pkg.

Carton

Length: 56,5 cm No. of packages in a carton: 20 pkg.
 Width/diameter: 32 cm No. of pieces in a carton: 2000 pcs
 Height: 13,5 cm Weight: 10,6 kg
 Volume: 0,02 m3
 EAN: 4052509684119
 LOT: YES

No. of packages in a carton:



Packaging material: Paper - corrugated cardboard (PAP)
 Packaging type: Corrugated box - extra strong

Pallet

Layer height: 13,5 cm Height: 177 cm
 Number of layers: 12 Weight: 529 kg
 No. of cartons on the layer: 4 No. of cartons on the pallet: 48 ctn
 No. of packages on the pallet: 960 pkg.
 No. of pieces on the pallet: 96000 pcs

No. of cartons on the layer:

