

Product data sheet

Item number: **68425**
Item name: **Carrier bag (HDPE) extra-strong white 24+11 x 46 cm `5kg` [100 pcs]**

Item

Length: 24 cm Material thickness: 10,5 µm
Width/
diameter: 11 cm Color: white
Height: 46 cm Material 1: Polyethylene - high density
Weight: 2,8 g Material 2: Solvent (glue)

Customs nomenclature: 39232100

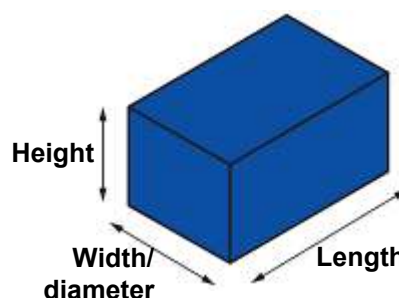


Package

Length: 47 cm No. of pieces in a package: 100 pcs
Width/
diameter: 24 cm Weight: 283 g
Height: 0,6 cm LOT: YES
EAN:

Packaging material: Polyethylene - high density (HDPE)

Packaging type: Sealed bag



Group packaging

Packaging material: Polyethylene - low density (LDPE)

16 pkg.

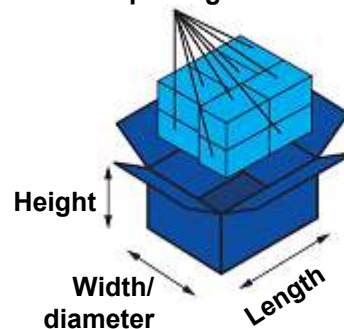
Carton

Length: 48 cm No. of packages in a carton: 20 pkg.
Width/
diameter: 25 cm No. of pieces in a carton: 2000 pcs
Height: 12 cm Weight: 5,91 kg
Volume: 0,01 m3
EAN: 4052509684256
LOT: YES

Packaging material: Paper - corrugated cardboard (PAP)

Packaging type: Corrugated box

No. of packages in a carton:



Pallet

Layer height: 12 cm Height: 159 cm
Number of layers: 12 Weight: 516 kg
No. of cartons on
the layer: 7 No. of cartons on the pallet: 84 ctn
No. of packages on the pallet: 1680 pkg.
No. of pieces on the pallet: 168000 pcs

No. of cartons on the layer:

