

Product data sheet

Item number: **68440**
Item name: **Carrier bag (HDPE) extra-strong white 40+20 x 60 cm `18kg` [50 pcs]**

Item

Length: 40 cm Material thickness: 14,5 µm
Width/
diameter: 20 cm Color: white
Height: 60 cm Material 1: Polyethylene - high density
Weight: 8,87 g Material 2: Solvent (glue)

Customs nomenclature: 39232100

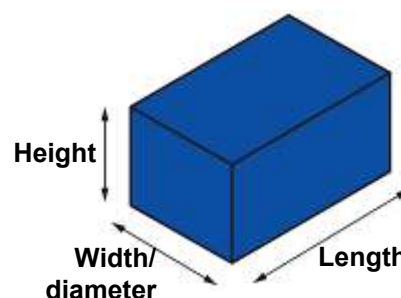


Package

Length: 42 cm No. of pieces in a package: 50 pcs
Width/
diameter: 32 cm Weight: 447 g
Height: 0,8 cm LOT: YES
EAN:

Packaging material: Polyethylene - high density (HDPE)

Packaging type: Sealed bag



Group packaging

Packaging material: Polyethylene - low density (LDPE)

16 pkg.

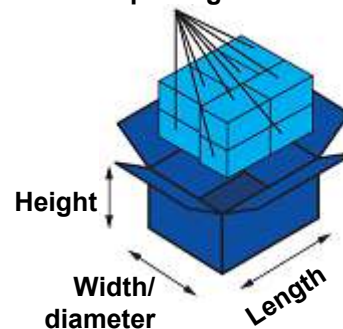
Carton

Length: 42 cm No. of packages in a carton: 20 pkg.
Width/
diameter: 33 cm No. of pieces in a carton: 1000 pcs
Height: 17 cm Weight: 9,48 kg
Volume: 0,02 m3
EAN: 4052509684409
LOT: YES

Packaging material: Paper - corrugated cardboard (PAP)

Packaging type: Corrugated box - extra strong

No. of packages in a carton:



Pallet

Layer height: 17 cm Height: 185 cm
Number of layers: 10 Weight: 589 kg
No. of cartons on
the layer: 6 No. of cartons on the pallet: 60 ctn
No. of packages on the pallet: 1200 pkg.
No. of pieces on the pallet: 60000 pcs

No. of cartons on the layer:

