

Product data sheet

Item number: **68505**
Item name: **Produce bag (HDPE) roll clear 22+11 x 45 cm `5kg` [200 pcs]**

Item

Length: 22 cm Material thickness: 6 µm
Width/diameter: 11 cm Color: transparent
Height: 45 cm Material 1: Polyethylene - high density
Weight: 1,45 g Material 2: Solvent (glue)

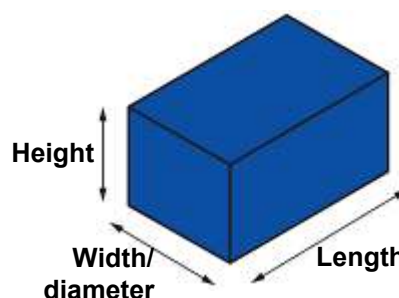
Customs nomenclature: 39232100
Core Ø 25 mm.



Package

Length: 22 cm No. of pieces in a package: 200 pcs
Width/diameter: 6 cm Weight: 319 g
LOT: YES
EAN:

Packaging material: Polyethylene - high density (HDPE)
Packaging type: Bag



Group packaging

Packaging material: Polyethylene - low density (LDPE)

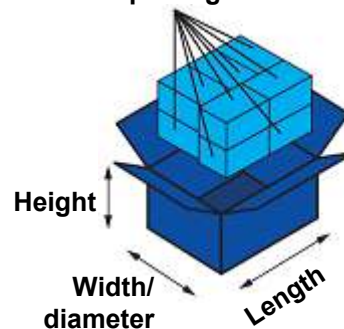
16 pkg.

Carton

Length: 31,5 cm No. of packages in a carton: 20 pkg.
Width/diameter: 26 cm No. of pieces in a carton: 4000 pcs
Height: 24 cm Weight: 6,67 kg
Volume: 0,02 m3
EAN: 4052509685055
LOT: YES

Packaging material: Paper - corrugated cardboard (PAP)
Packaging type: Corrugated box

No. of packages in a carton:



Pallet

Layer height: 24 cm Height: 183 cm
Number of layers: 7 Weight: 487 kg
No. of cartons on the layer: 10 No. of cartons on the pallet: 70 ctn
No. of packages on the pallet: 1400 pkg.
No. of pieces on the pallet: 280000 pcs

No. of cartons on the layer:

