

## Product data sheet

Item number: **68817**  
Item name: **Freezer bag (HDPE) clear 28 x 45 cm 6L [20 pcs]**

### Item

Length: 45 cm      Material thickness: 18,5 µm  
Width/  
diameter: 28 cm      Color: transparent  
Height: 0,1 cm      Material 1: Polyethylene - high density  
Weight: 4,43 g      Material 2: Solvent (glue)

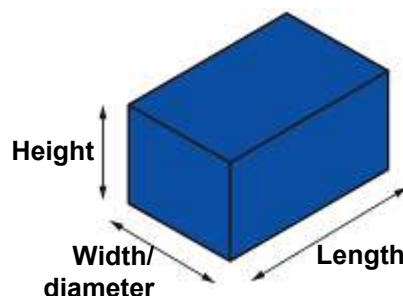
Customs nomenclature: 39232100

### Package

Length: 17 cm      No. of pieces in a package: 20 pcs  
Width/  
diameter: 4,5 cm      Weight: 104 g  
Height: 4,5 cm      LOT: N/A  
EAN:

Packaging material: Paper - corrugated cardboard (PAP)

Packaging type: Box



### Group packaging

Packaging material: Polyethylene - low density (LDPE)

16 pkg.

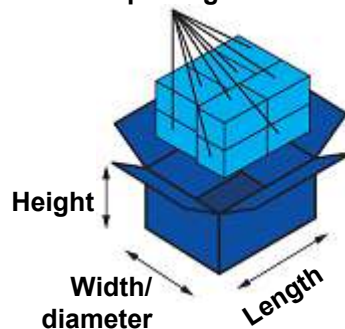
### Carton

Length: 47 cm      No. of packages in a carton: 100 pkg.  
Width/  
diameter: 35 cm      No. of pieces in a carton: 2000 pcs  
Height: 23 cm      Weight: 10,85 kg  
Volume: 0,04 m<sup>3</sup>  
EAN: 4052509688179  
LOT: YES

Packaging material: Paper - corrugated cardboard (PAP)

Packaging type: Carton display

No. of packages in a carton:



### Pallet

Layer height: 23 cm      Height: 153 cm  
Number of layers: 6      Weight: 346 kg  
No. of cartons on  
the layer: 5      No. of cartons on the pallet: 30 ctn  
No. of packages on the pallet: 3000 pkg.  
No. of pieces on the pallet: 60000 pcs

No. of cartons on the layer:

