

Product data sheet

Item number: **68842**
Item name: **Ice-cube bag (LDPE) self-sealing for 24 cubes [10 pcs]**

Item

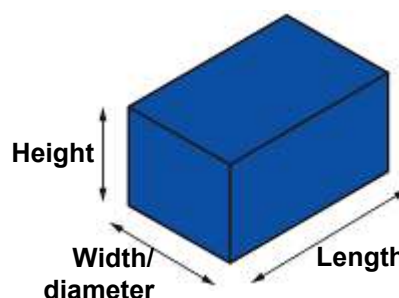
Length: 31,5 cm Material thickness: 23,5 µm
Width/diameter: 19,5 cm Color: blue
Height: 0,1 cm Material 1: Polyethylene - low density
Weight: 2,8 g Material 2: Solvent (glue)



Customs nomenclature: 39232100

Package

Length: 20 cm No. of pieces in a package: 10 pcs
Width/diameter: 5 cm Weight: 46 g
Height: 5 cm LOT: YES
EAN:



Packaging material: Paper - smooth cardboard (PAP)
Packaging type: Box

Group packaging

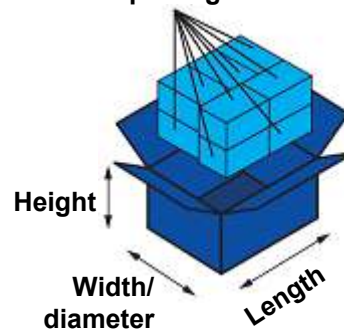
Packaging material: Polyethylene - low density (LDPE)

16 pkg.

Carton

Length: 31 cm No. of packages in a carton: 24 pkg.
Width/diameter: 21 cm No. of pieces in a carton: 240 pcs
Height: 21 cm Weight: 1,36 kg
Volume: 0,01 m3
EAN: 4052509688421
LOT: YES

No. of packages in a carton:



Packaging material: Paper - corrugated cardboard (PAP)
Packaging type: Carton display

Pallet

Layer height: 21 cm Height: 162 cm
Number of layers: 7 Weight: 134 kg
No. of cartons on the layer: 12 No. of cartons on the pallet: 84 ctn
No. of packages on the pallet: 2016 pkg.
No. of pieces on the pallet: 20160 pcs

No. of cartons on the layer:

