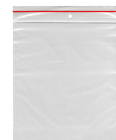


Product data sheet

Item number: **68908**
Item name: **Zip-lock bag (LDPE) transparent 8 x 12 cm [10 x 100 pcs]**

Item

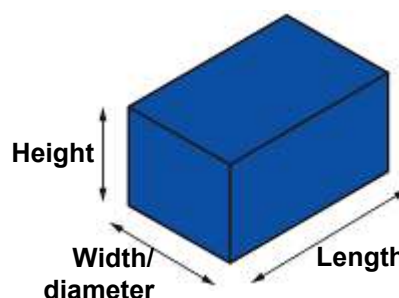
Length: 12 cm Material thickness: 38 µm
Width/diameter: 8 cm Color: transparent
Height: 0,1 cm Material 1: Polyethylene - low density
Weight: 1,02 g Material 2: Solvent (glue)



Customs nomenclature: 39232100

Package

Length: 20 cm No. of pieces in a package: 1000 pcs
Width/diameter: 10 cm Weight: 1103 g
Height: 17 cm LOT: YES
EAN:



Packaging material: Paper - corrugated cardboard (PAP)
Packaging type: Box

Group packaging

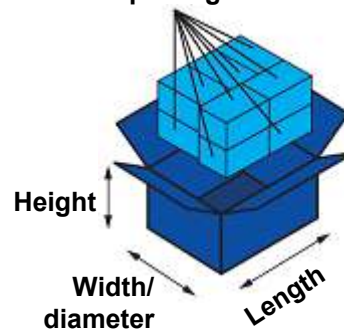
Packaging material: Polyethylene - low density (LDPE)

16 pkg.

Carton

Length: 42 cm No. of packages in a carton: 16 pkg.
Width/diameter: 36 cm No. of pieces in a carton: 16000 pcs
Height: 42,5 cm Weight: 18,37 kg
Volume: 0,06 m3
EAN: 4052509689084
LOT: YES

No. of packages in a carton:



Packaging material: Paper - corrugated cardboard (PAP)
Packaging type: Corrugated box - extra strong

Pallet

Layer height: 42,5 cm Height: 185 cm
Number of layers: 4 Weight: 461 kg
No. of cartons on the layer: 6 No. of cartons on the pallet: 24 ctn
No. of packages on the pallet: 384 pkg.
No. of pieces on the pallet: 384000 pcs

No. of cartons on the layer:

