

Product data sheet

Item number: **68909**
Item name: **Zip-lock bag (LDPE) transparent 8 x 18 cm [10 x 100 pcs]**

Item

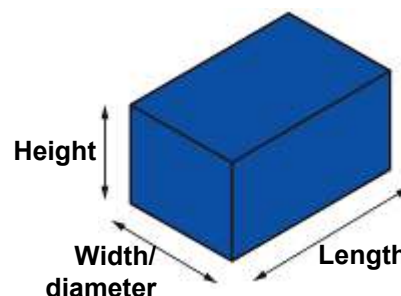
Length: 18 cm Material thickness: 38 µm
Width/diameter: 8 cm Color: transparent
Height: 0,1 cm Material 1: Polyethylene - low density
Weight: 1,38 g Material 2: Solvent (glue)



Customs nomenclature: 39232100

Package

Length: 22,5 cm No. of pieces in a package: 1000 pcs
Width/diameter: 10 cm Weight: 1470 g
Height: 21 cm LOT: YES
EAN:



Packaging material: Paper - corrugated cardboard (PAP)
Packaging type: Box

Group packaging

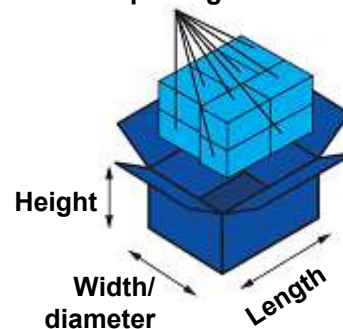
Packaging material: Polyethylene - low density (LDPE)

16 pkg.

Carton

Length: 45 cm No. of packages in a carton: 12 pkg.
Width/diameter: 31 cm No. of pieces in a carton: 12000 pcs
Height: 46 cm Weight: 18,39 kg
Volume: 0,06 m3
EAN: 4052509689091
LOT: YES

No. of packages in a carton:



Packaging material: Paper - corrugated cardboard (PAP)
Packaging type: Corrugated box - extra strong

Pallet

Layer height: 46 cm Height: 199 cm
Number of layers: 4 Weight: 388 kg
No. of cartons on the layer: 5 No. of cartons on the pallet: 20 ctn
No. of packages on the pallet: 240 pkg.
No. of pieces on the pallet: 240000 pcs

No. of cartons on the layer:

