

Product data sheet

Item number: **68912**
Item name: **Zip-lock bag (LDPE) transparent 12 x 17 cm [10 x 100 pcs]**

Item

Length: 17 cm Material thickness: 40 µm
Width/
diameter: 12 cm Color: transparent
Height: 0,1 cm Material 1: Polyethylene - low density
Weight: 2,18 g Material 2: Solvent (glue)

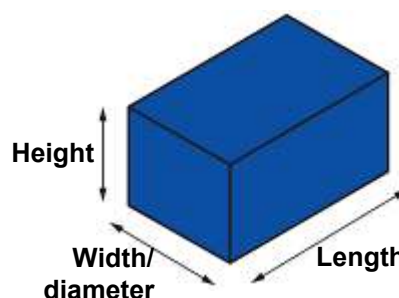


Customs nomenclature: 39232100

Package

Length: 21 cm No. of pieces in a package: 1000 pcs
Width/
diameter: 14 cm Weight: 2288 g
Height: 20,5 cm LOT: YES
EAN:

Packaging material: Paper - corrugated cardboard (PAP)
Packaging type: Box



Group packaging

Packaging material: Polyethylene - low density (LDPE)

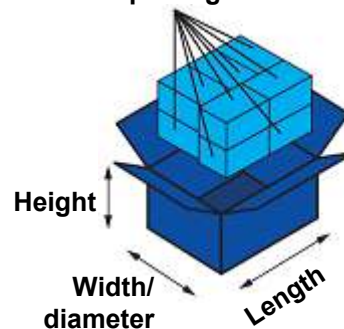
16 pkg.

Carton

Length: 45 cm No. of packages in a carton: 8 pkg.
Width/
diameter: 28,5 cm No. of pieces in a carton: 8000 pcs
Height: 43,5 cm Weight: 18,93 kg
Volume: 0,06 m3
EAN: 4052509689121
LOT: YES

Packaging material: Paper - corrugated cardboard (PAP)
Packaging type: Corrugated box - extra strong

No. of packages in a carton:



Pallet

Layer height: 43,5 cm Height: 145 cm
Number of layers: 3 Weight: 361 kg
No. of cartons on
the layer: 6 No. of cartons on the pallet: 18 ctn
No. of packages on the pallet: 144 pkg.
No. of pieces on the pallet: 144000 pcs

No. of cartons on the layer:

