

## Product data sheet

Item number: **68914**  
Item name: **Zip-lock bag (LDPE) transparent 15 x 20 cm [10 x 100 pcs]**

### Item

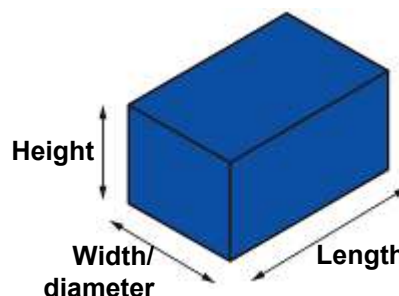
Length: 20 cm      Material thickness: 40 µm  
Width/  
diameter: 15 cm      Color: transparent  
Height: 0,1 cm      Material 1: Polyethylene - low density  
Weight: 2,72 g      Material 2: Solvent (glue)



Customs nomenclature: 39232100

### Package

Length: 25 cm      No. of pieces in a package: 1000 pcs  
Width/  
diameter: 16,5 cm      Weight: 2862 g  
Height: 16,5 cm      LOT: YES  
EAN:



Packaging material: Paper - corrugated cardboard (PAP)  
Packaging type: Box

### Group packaging

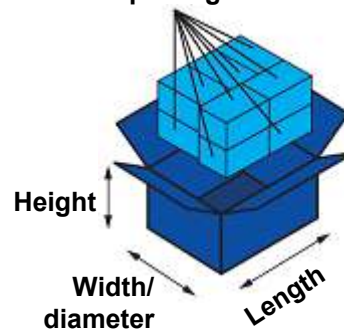
Packaging material: Polyethylene - low density (LDPE)

16 pkg.

### Carton

Length: 52,5 cm      No. of packages in a carton: 6 pkg.  
Width/  
diameter: 26,5 cm      No. of pieces in a carton: 6000 pcs  
Height: 35,5 cm      Weight: 17,87 kg  
Volume: 0,05 m3  
EAN: 4052509689145  
LOT: YES

No. of packages in a carton:



Packaging material: Paper - corrugated cardboard (PAP)  
Packaging type: Corrugated box - extra strong

### Pallet

Layer height: 35,5 cm      Height: 157 cm  
Number of layers: 4      Weight: 449 kg  
No. of cartons on  
the layer: 6      No. of cartons on the pallet: 24 ctn  
No. of packages on the pallet: 144 pkg.  
No. of pieces on the pallet: 144000 pcs

No. of cartons on the layer:

