

Product data sheet

Item number: **68919**
Item name: **Zip-lock bag (LDPE) transparent 20 x 25 cm [10 x 100 pcs]**

Item

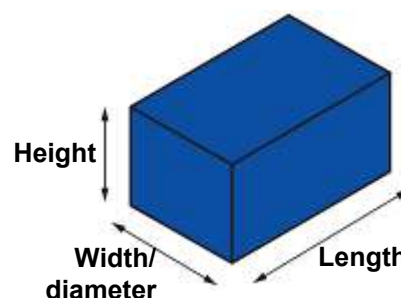
Length: 25 cm Material thickness: 40 µm
Width/diameter: 20 cm Color: transparent
Height: 0,1 cm Material 1: Polyethylene - low density
Weight: 5,05 g Material 2: Solvent (glue)



Customs nomenclature: 39232100

Package

Length: 27,5 cm No. of pieces in a package: 1000 pcs
Width/diameter: 17,5 cm Weight: 5207 g
Height: 21,5 cm LOT: YES
EAN:



Packaging material: Paper - corrugated cardboard (PAP)
Packaging type: Box

Group packaging

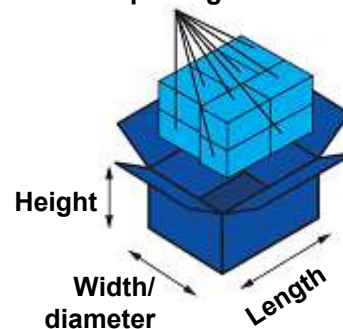
Packaging material: Polyethylene - low density (LDPE)

16 pkg.

Carton

Length: 36,5 cm No. of packages in a carton: 4 pkg.
Width/diameter: 29 cm No. of pieces in a carton: 4000 pcs
Height: 44,5 cm Weight: 21,45 kg
Volume: 0,05 m3
EAN: 4052509689190
LOT: YES

No. of packages in a carton:



Packaging material: Paper - corrugated cardboard (PAP)
Packaging type: Corrugated box - extra strong

Pallet

Layer height: 44,5 cm Height: 193 cm
Number of layers: 4 Weight: 706 kg
No. of cartons on the layer: 8 No. of cartons on the pallet: 32 ctn
No. of packages on the pallet: 128 pkg.
No. of pieces on the pallet: 128000 pcs

No. of cartons on the layer:

