

Product data sheet

Item number: **68923**
Item name: **Zip-lock bag (LDPE) transparent 23 x 32 cm [10 x 100 pcs]**

Item

Length: 32 cm Material thickness: 40 µm
Width/
diameter: 23 cm Color: transparent
Height: 0,1 cm Material 1: Polyethylene - low density
Weight: 7,03 g Material 2: Solvent (glue)

Customs nomenclature: 39232100

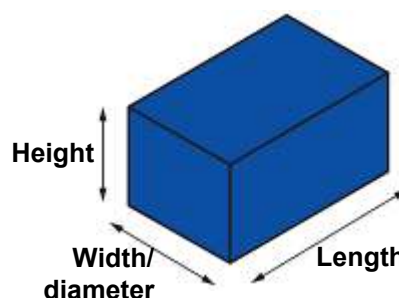


Package

Length: 30 cm No. of pieces in a package: 1000 pcs
Width/
diameter: 21 cm Weight: 7241 g
Height: 25 cm LOT: YES
EAN:

Packaging material: Paper - corrugated cardboard (PAP)

Packaging type: Box



Group packaging

Packaging material: Polyethylene - low density (LDPE)

16 pkg.

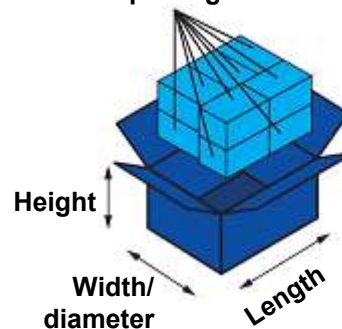
Carton

Length: 62,5 cm No. of packages in a carton: 3 pkg.
Width/
diameter: 27 cm No. of pieces in a carton: 3000 pcs
Height: 33 cm Weight: 22,38 kg
Volume: 0,06 m3
EAN: 4052509689237
LOT: YES

Packaging material: Paper - corrugated cardboard (PAP)

Packaging type: Corrugated box - extra strong

No. of packages in a carton:



Pallet

Layer height: 33 cm Height: 213 cm
Number of layers: 6 Weight: 557 kg
No. of cartons on
the layer: 4 No. of cartons on the pallet: 24 ctn
No. of packages on the pallet: 72 pkg.
No. of pieces on the pallet: 72000 pcs

No. of cartons on the layer:

