

Product data sheet

Item number: **68924**
Item name: **Zip-lock bag (LDPE) transparent 25 x 30 cm [10 x 100 pcs]**

Item

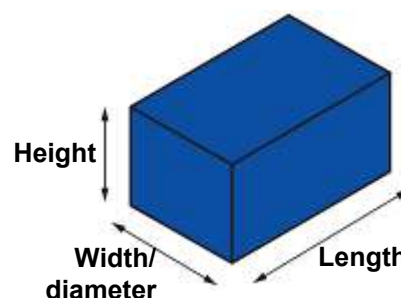
Length: 30 cm Material thickness: 40 µm
Width/diameter: 25 cm Color: transparent
Height: 0,1 cm Material 1: Polyethylene - low density
Weight: 7,27 g Material 2: Solvent (glue)



Customs nomenclature: 39232100

Package

Length: 32 cm No. of pieces in a package: 1000 pcs
Width/diameter: 21 cm Weight: 7521 g
Height: 27 cm LOT: YES
EAN:



Packaging material: Paper - corrugated cardboard (PAP)
Packaging type: Box

Group packaging

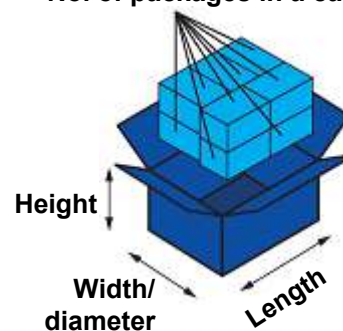
Packaging material: Polyethylene - low density (LDPE)

16 pkg.

Carton

Length: 43,5 cm No. of packages in a carton: 2 pkg.
Width/diameter: 34 cm No. of pieces in a carton: 2000 pcs
Height: 30 cm Weight: 15,65 kg
Volume: 0,04 m3
EAN: 4052509689244
LOT: YES

No. of packages in a carton:



Packaging material: Paper - corrugated cardboard (PAP)
Packaging type: Corrugated box - extra strong

Pallet

Layer height: 30 cm Height: 195 cm
Number of layers: 6 Weight: 583 kg
No. of cartons on the layer: 6 No. of cartons on the pallet: 36 ctn
No. of packages on the pallet: 72 pkg.
No. of pieces on the pallet: 72000 pcs

No. of cartons on the layer:

