

Product data sheet

Item number: **68925**
Item name: **Zip-lock bag (LDPE) transparent 25 x 35 cm [10 x 100 pcs]**

Item

Length: 35 cm Material thickness: 40 µm
Width/
diameter: 25 cm Color: transparent
Height: 0,1 cm Material 1: Polyethylene - low density
Weight: 8,21 g Material 2: Solvent (glue)

Customs nomenclature: 39232100

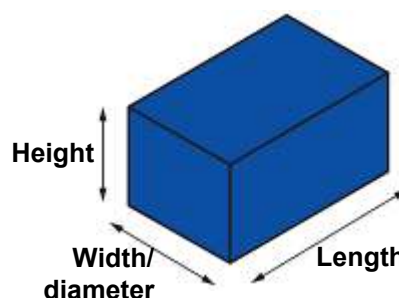


Package

Length: 29 cm No. of pieces in a package: 1000 pcs
Width/
diameter: 22,5 cm Weight: 8428 g
Height: 26,5 cm LOT: YES
EAN:

Packaging material: Paper - corrugated cardboard (PAP)

Packaging type: Box



Group packaging

Packaging material: Polyethylene - low density (LDPE)

16 pkg.

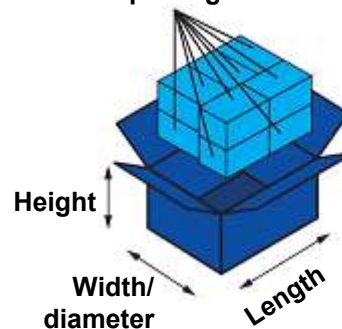
Carton

Length: 46,5 cm No. of packages in a carton: 2 pkg.
Width/
diameter: 30,5 cm No. of pieces in a carton: 2000 pcs
Height: 29 cm Weight: 17,39 kg
Volume: 0,04 m3
EAN: 4052509689251
LOT: YES

Packaging material: Paper - corrugated cardboard (PAP)

Packaging type: Corrugated box - extra strong

No. of packages in a carton:



Pallet

Layer height: 29 cm Height: 160 cm
Number of layers: 5 Weight: 542 kg
No. of cartons on
the layer: 6 No. of cartons on the pallet: 30 ctn
No. of packages on the pallet: 60 pkg.
No. of pieces on the pallet: 60000 pcs

No. of cartons on the layer:

