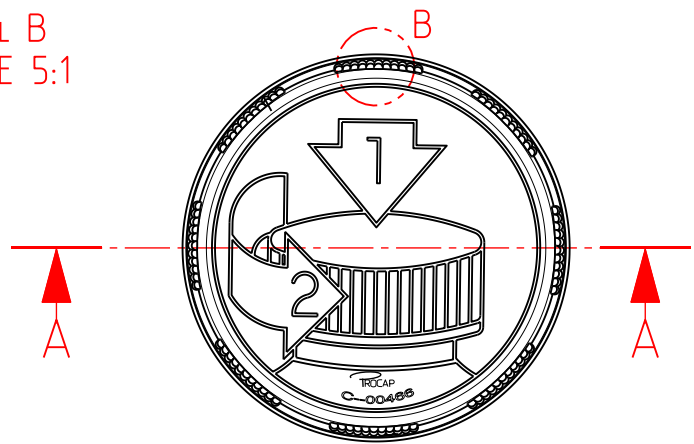



DETAIL B
SCALE 5:1



SCALE 1:1

PRODUCT INFORMATION

THREAD: 1 start
Pitch: 4mm
KNURLS: 11 in 8 area
LINER: See specification

Drawing category : CUSTOMER DRAWING		Checked by : 		Checking date : 27/04/16	
Article ref :		Drawn by : DP	Drawing date : 27/01/16	Revision : A	
Status : PRODUCTION		Product name: 42 CRC			
Drawing ref : 16S211DP05-01C		Total surface area 16925 mm ²	Contact surface area 1277 mm ²	Material: HDPE/PP	