

Product data sheet

Item number: **78222**
Item name: **Ready-meal microwave tray (PP) 2-compartment black 250 x 185 mm 1100ml [50 pcs]**

Item

Length: 25 cm Material thickness: 540 µm
Width/diameter: 18,5 cm Color: black Volume: 1100 ml
Height: 4 cm Material 1: Polypropylene
Weight: 23 g

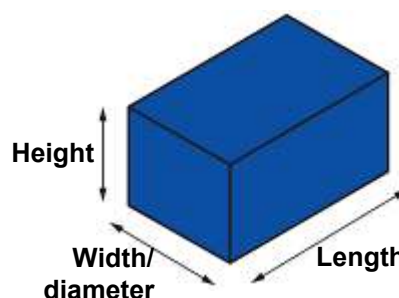


Customs nomenclature: 39241000

Additional description: Useable up to 100°C. | Compartment volume: 600 + 500 ml

Package

Length: 25 cm No. of pieces in a package: 50 pcs
Width/diameter: 18,5 cm Weight: 1155 g
Height: 35 cm LOT: YES
EAN: 8591199782225



Packaging material: Polypropylene (PP)

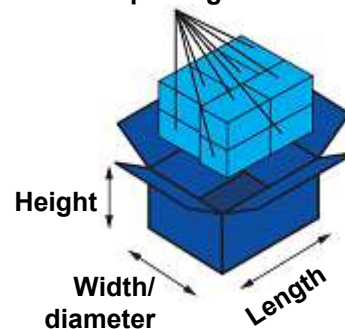
Packaging type: Sealed bag

Group packaging

Carton

Length: 60 cm No. of packages in a carton: 8 pkg.
Width/diameter: 40 cm No. of pieces in a carton: 400 pcs
Height: 69 cm Weight: 10,34 kg
Volume: 0,17 m3
EAN: 4052509782228
LOT: YES

No. of packages in a carton:



Packaging material: Paper - corrugated cardboard (PAP)

Packaging type: Corrugated box

Pallet

Layer height: 69 cm Height: 187 cm
Number of layers: 2,5 Weight: 123 kg
No. of cartons on the layer: 4 No. of cartons on the pallet: 10 ctn
No. of packages on the pallet: 80 pkg.
No. of pieces on the pallet: 4000 pcs

No. of cartons on the layer:

